



PIAGGIO & C.s.p.a.

DERBI

SPARE PARTS CATALOGUE



Senda R Baja 125 4T E3 2010

Chassis prefix: VTHSC1E1A

Engine prefix:

SENDA 125 R

DE005

Index

Products.....	3
Part reference.....	4
ENGINE.....	8
Drawing 65.15 - Cylinder - Cylinder head.....	8
Drawing 65.16 - Timing system.....	10
Drawing 65.17 - Starting shaft.....	12
Drawing 65.18 - Clutch.....	13
Drawing 65.19 - Selector shaft.....	14
Drawing 65.20 - Gear box.....	15
Drawing 65.21 - Crank-case I.....	17
Drawing 65.22 - Crank-case II.....	18
Drawing 65.23 - Oil pump.....	20
Drawing 65.24 - Ignition unit.....	21
Drawing 65.25 - Starter motor - Ignition unit.....	22
FRAME.....	23
Drawing 66.01 - Frame.....	23
Drawing 66.02 - Front fork.....	25
Drawing 66.03 - Swing arm - Shock absorber.....	26
Drawing 66.04 - Tank - Air box.....	28
Drawing 66.05 - Body.....	30
Drawing 66.06 - Handlebar - Controls.....	33
Drawing 66.07 - Lights.....	35
Drawing 66.08 - Electrical system.....	37
Drawing 66.09 - Front wheel.....	38
Drawing 66.10 - Rear wheel.....	39
Drawing 66.11 - Rear brake system.....	40
Drawing 66.12 - Instrument panel.....	41
Drawing 66.13 - Exhaust pipe.....	42
Drawing 66.14 - Completing part.....	43
SPECIAL TOOLS.....	44
Drawing 67.26 - Special tools.....	44



SENDA 125 R
DE005 - Senda R Baja 125 4T E3 2010

Chassis prefix: VTHSC1E1A
Engine prefix:

Products

Code	Validity
------	----------

no products

Code	Drawing Nr.	Pos.	Code	Drawing Nr.	Pos.	Code	Drawing Nr.	Pos.
0000004645	66.06	29	00022084021	66.01	20	00F00920551	66.06	19
0000004825	66.13	6	00023108000	66.01	24	00F01701191	66.07	40
0000004830	66.09	15	00023108000	66.11	20	00F01810411	66.12	17
00000011416	66.03	17	00023112000	66.03	14	00F04700121	66.09	20
00000023050	66.07	25	00026006000	65.15	14	00F04700121	66.11	2
00000023050	66.07	39	00026006002	66.13	5	00F05900041	66.08	25
00000023060	66.03	11	00026008001	66.01	28	00F05900041	66.08	5
00000023060	66.05	16	00026008001	66.13	10	00G00200112	66.01	38
00000023060	66.07	22	00031105000	66.03	18	00G00400501	66.04	21
00000023060	66.07	30	00031105000	66.04	2	00G00803101	66.13	12
00000023080	66.13	8	00031105000	66.05	21	00G01000131	66.07	31
00000031040	66.07	14	00031106000	66.05	19	00G01503701	66.04	14
00000031050	66.04	19	00031107023	66.01	30	00G01503701	66.11	6
00000031050	66.04	30	00032015000	66.03	3	00G01601581	66.12	5
00000031050	66.05	28	00032015000	66.09	4	00G01602581	66.12	4
00000031050	66.05	32	00032015000	66.10	3	00G01700401	66.08	13
00000031050	66.05	44	00033008001	66.01	12	00G04400752	66.05	12
00000031050	66.07	38	00034000802	66.09	17	00G04401462	66.05	29
00000031050	66.07	42	00036008000	66.01	26	00G04401462	66.07	8
00000056205	66.01	13	00058000301	66.03	24	00G04401462	66.11	23
00002051251	66.06	23	00058020200	66.09	5	00G06300251	65.15	30
00002052051	66.08	22	00058020200	66.10	5	00G06300671	66.05	23
00002062011	66.05	14	00092061214	66.03	20	00H00112941	66.01	2
00002062511	65.19	19	00262080022	66.01	31	00H00201811	66.05	7
00002062511	66.05	24	00262080022	66.10	8	00H00203691	66.02	10
00002082021	66.12	11	00402060001	66.03	10	00H00204601	66.02	17
00002082021	66.13	9	00402060001	66.05	15	00H00204741	66.02	2
00002084514	66.01	25	00402080001	66.01	19	00H00205231	66.02	4
00002086531	66.01	27	00402080001	66.10	22	00H00206111	66.02	18
00002212070	66.09	8	00402080001	66.11	18	00H00206151	66.02	11
00002215152	66.01	21	00402080001	66.13	7	00H00206531	66.02	14
00002518790	66.01	17	00402100001	66.03	28	00H00207271	66.02	13
00003115422	66.03	13	00442060002	65.19	20	00H00214171	66.02	9
00003306570	66.01	23	00D00200761	66.01	32	00H00215011	66.02	12
00004055000	66.07	23	00D00900531	66.06	21	00H00215091	66.02	15
00005010760	66.06	25	00D00900531	66.07	4	00H00233001	66.02	1
00005253240	67.26	4	00D00900531	66.08	17	00H00300672	66.03	6
00005527540	66.11	19	00D00900531	66.08	2	00H00300672	66.09	18
00006309260	66.06	26	00D01000701	66.06	24	00H00300672	66.10	15
00006309260	66.11	13	00D01100201	66.11	4	00H00302892	66.03	15
00006321040	66.06	12	00D01200171	66.03	22	00H00303892	66.03	12
00006321040	66.11	3	00D01200171	66.05	41	00H00305411	66.03	2
00008061200	66.04	23	00D01200171	66.07	21	00H00400131	66.12	13
00008061200	66.05	17	00D01200171	66.07	27	00H00400151	66.12	15
00008083500	66.02	16	00D01201091	66.09	7	00H00400161	66.12	14
00008902630	66.01	8	00D01301401	66.10	14	00H00404181	66.04	4
00008915020	66.07	28	00D01500021	66.05	36	00H00412011	66.04	1
00011032501	66.07	13	00D01500021	66.12	9	00H00500211	66.04	16
00011051401	66.05	31	00D01500471	66.07	29	00H00501761	66.01	16
00011101112	66.03	27	00D01501371	66.03	23	00H00501761	66.05	25
00011141300	66.04	29	00D01501371	66.04	24	00H00507071	66.05	4
00011141300	66.05	18	00D01501371	66.05	30	00H00507081	66.05	5
00011141300	66.05	43	00D01501371	66.05	58	00H00600681	66.12	16
00011141300	66.11	11	00D01501371	66.08	26	00H00606141	66.04	13
00012051200	66.04	20	00D01501371	66.08	6	00H00618161	66.05	6
00012051200	66.05	27	00D01520096	66.01	6	00H00708121	66.05	10
00012051200	66.06	15	00D01540456	66.01	7	00H00716341	66.05	11
00012061200	66.03	21	00D02600631	66.04	26	00H00800422	66.01	15
00012061200	66.05	40	00D02600631	66.07	24	00H00804081	66.01	10
00012083001	66.10	7	00D02600631	66.11	21	00H00805072	66.01	18
00012151000	66.04	18	00D02600631	66.12	18	00H00825011A	66.01	9
00012151000	66.05	20	00D03700131	66.04	22	00H00900871	66.06	13
00012151500	66.04	17	00D05900141	66.05	37	00H00903291	66.06	16
00012151500	66.11	22	00E01810361	66.08	18	00H00906203	66.06	6
00012152000	66.12	6	00F00403321	66.04	5	00H00919301	66.06	17
00012162000	66.08	27	00F00900531	66.08	12	00H00921171	66.06	3
00014041200	66.06	9	00F00900531	66.11	10	00H01001701	66.11	7

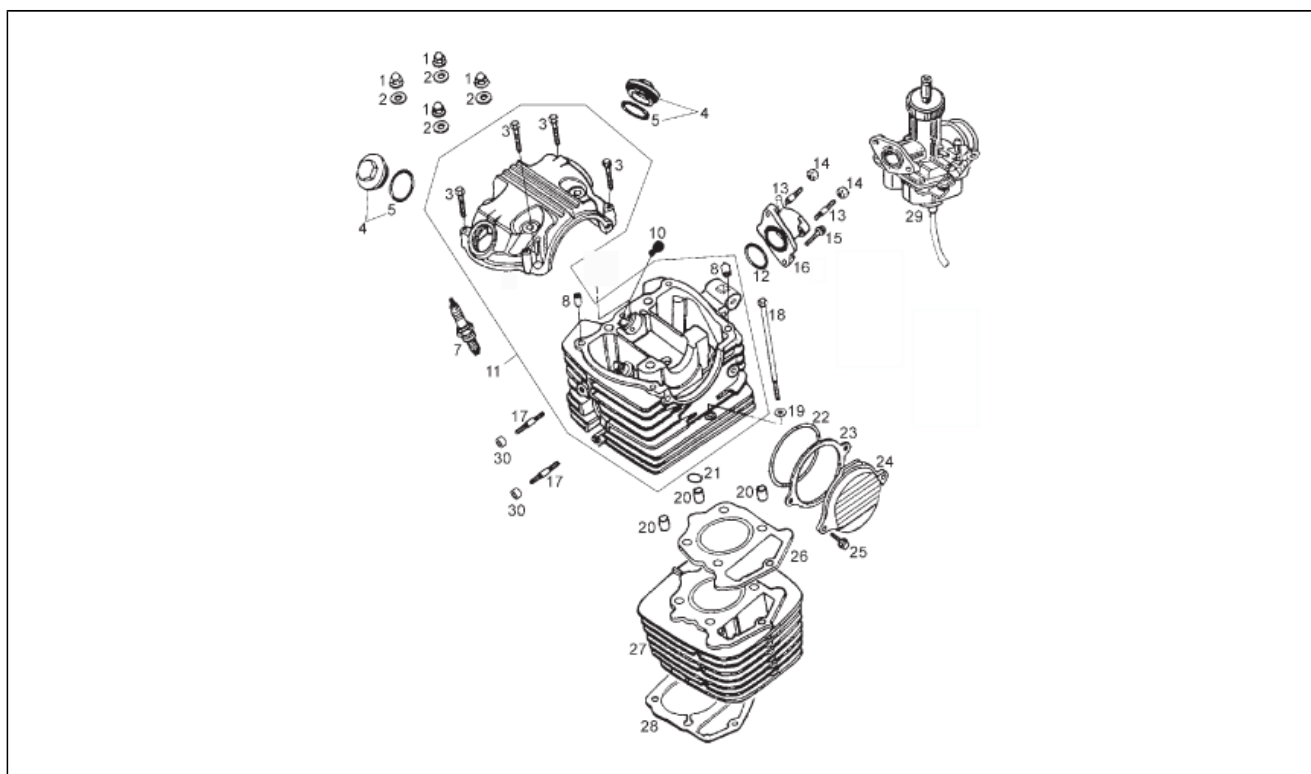
Code	Drawing Nr.	Pos.	Code	Drawing Nr.	Pos.	Code	Drawing Nr.	Pos.
00H01001911	66.08	15	00H02101011	66.06	18	862671	65.15	21
00H01002911	66.08	16	00H02102631	66.06	10	862672	65.22	26
00H01003101	66.07	15	00H02102921	66.06	28	862673	65.22	12
00H01003131	66.07	35	00H02104621	66.06	2	862674	65.22	27
00H01009321	66.07	26	00H02106081	66.06	5	862675	65.15	12
00H01100172	66.11	17	00H02112611	66.06	20	862676	65.15	5
00H01101731	66.11	5	00H02201302	66.01	5	862676	65.21	15
00H01102072	66.11	15	00H02201312	66.01	4	862677	65.22	29
00H01102211	66.11	8	00H02201591	66.05	35	862678	65.15	22
00H01103611	66.11	14	00H02300361	66.08	10	862679	65.21	18
00H01104181	66.11	12	00H02300961	66.08	3	862680	65.23	11
00H01112081	66.11	1	00H02302501	66.07	16	862681	65.22	7
00H01120021	66.11	16	00H02306381	66.06	14	862682	65.18	13
00H01201331	66.09	16	00H02401282	66.10	10	862683	65.18	8
00H01202071	66.10	19	00H02401331	66.10	1	862683	65.23	8
00H01202271	66.09	2	00H02402282	66.09	19	862684	65.20	6
00H01203031	66.09	22	00H02500272	66.01	29	862685	65.25	2
00H01204711	66.09	3	00H02705421	65.19	18	862686	65.19	15
00H01206061	66.09	12	00H03003581	66.05	33	862687	65.20	3
00H01208191	66.09	13	00H03204491	66.04	7	862688	65.20	31
00H01209082	66.09	6	00H03215261	66.04	8	862689	65.20	26
00H01212101	66.09	10	00H03405061	66.13	3	862690	65.20	11
00H01217111	66.09	9	00H03406321	66.13	11	862691	65.20	19
00H01301831	66.09	21	00H03700131	66.11	9	862692	65.16	18
00H01302351	66.10	13	00H03806301	66.05	9	862694	65.24	2
00H01304181	66.10	4	00H04321651	66.12	2	862699	65.15	19
00H01304691	66.10	20	00H04601001	66.06	27	862701	65.16	3
00H01304731	66.10	21	00H04651141	66.14	4	862703	65.21	21
00H01305091	66.10	23	00H04703141	66.09	14	862704	65.15	7
00H01305171	66.03	9	00H04717081	66.09	1	862705	65.17	3
00H01305201	66.10	2	00H04903292	66.01	22	862706	65.16	16
00H01308821	66.10	16	00H05104561	66.14	1	862710	65.15	29
00H01314361	66.10	12	00H05156121	66.14	2	862711	65.21	8
00H01316321	66.10	11	00H05700471	66.07	37	862712	65.21	12
00H01328031	66.10	6	00H05900021	66.03	25	862715	65.20	21
00H01500691	66.04	15	00H05900021	66.05	26	862717	65.20	32
00H01500691	66.07	17	00H05909251	66.12	7	862719	65.16	10
00H01500691	66.08	23	00H06300791	66.12	12	862720	65.16	9
00H01500741	66.07	2	00H06303401	66.01	3	862721	65.16	5
00H01501501	66.01	34	00H06400291	65.21	23	862722	65.15	8
00H01501811	66.05	8	00H06400291	66.04	10	862722	65.22	14
00H01502101	66.01	33	00H06500451	66.01	14	862723	65.15	20
00H01502211	66.10	18	00H06800501	66.04	12	862724	65.15	27
00H01502501	66.01	36	020382Y	67.26	5	862725	65.20	13
00H01502701	66.05	13	020404Y	67.26	3	862726	65.20	18
00H01503101	66.01	35	11032501	66.07	9	862727	65.18	4
00H01508181	66.03	7	23050	66.07	7	862728	65.20	2
00H01512201	66.10	17	31040	66.07	11	862734	65.17	5
00H01517191	66.03	8	4615	66.05	56	862735	65.16	14
00H01600911	66.12	8	52062011	66.07	5	862740	65.25	8
00H01613051	66.12	3	861047	66.07	12	862742	65.19	7
00H01620021	66.12	10	86119R	66.08	14	862745	65.23	13
00H01641521	66.12	1	861239	66.07	41	862747	65.17	7
00H01701011	66.07	36	86133R	66.03	19	862748	65.18	11
00H01704311	66.07	18	86135R	66.08	11	862752	65.18	10
00H01706021	66.07	19	8616220001	66.05	51	862753	65.20	23
00H01801771	66.01	11	8616230001	66.05	53	862755	65.19	8
00H01803471	66.08	19	86178801WGB	66.06	1	862756	65.20	10
00H01807331	66.03	16	861817	66.04	27	862757	65.25	3
00H02001741	66.02	8	862210	66.07	20	862758	65.15	17
00H02001841	66.02	3	862415	66.07	33	862759	65.15	13
00H02004871	66.02	7	862665	65.21	5	862760	65.21	3
00H02018031	66.02	5	862665	66.13	22	862763	65.21	13
00H02018041	66.02	6	862666	65.17	2	862766	65.23	1
00H02100191	66.06	7	862667	65.16	4	862767	65.19	9
00H02100861	66.06	8	862669	65.19	12	862768	65.21	19
00H02100901	66.06	22	862670	65.19	16	862769	65.17	1

Code	Drawing Nr.	Pos.	Code	Drawing Nr.	Pos.	Code	Drawing Nr.	Pos.
862771	65.15	28	862866	65.22	16	866831	65.15	2
862772	65.15	26	862867	65.24	5	866832	65.15	11
862773	65.22	15	862867	66.05	34	866833	65.15	16
862774	65.22	24	862868	65.23	21	866834	65.15	29
862775	65.15	23	862869	65.15	3	866835	65.16	8
862776	65.23	6	862869	65.22	17	866836	65.16	11
862777	65.16	20	862869	65.22	2	866837	65.16	12
862778	65.22	5	862870	65.22	3	866838	65.16	22
862779	65.25	1	862871	65.21	6	866839	65.16	23
862780	65.21	14	862871	65.22	4	866840	65.16	25
862781	65.25	9	862872	65.22	19	866841	65.16	28
862782	65.18	6	862873	65.21	1	866842	65.16	29
862784	65.19	3	862873	65.22	21	866843	65.16	30
862785	65.23	3	862875	65.24	3	866844	65.16	31
862787	65.22	9	862876	65.16	2	866845	65.17	6
862789	65.19	13	862878	65.18	7	866846	65.18	1
862790	65.22	6	862880	65.15	1	866847	65.18	2
862791	65.19	2	862881	65.16	1	866848	65.18	5
862792	65.23	5	862882	65.16	26	866849	65.18	9
862793	65.21	9	862884	65.25	10	866850	65.18	12
862794	65.19	6	862886	65.22	11	866851	65.18	15
862795	65.22	10	862896	66.07	34	866852	65.19	1
862798	65.16	13	862897	66.06	4	866853	65.19	5
862799	65.16	17	862898	66.06	11	866854	65.19	14
862802	65.20	20	862899	66.11	26	866855	65.19	17
862809	65.25	7	862900	66.11	25	866856	65.20	4
862814	65.23	10	862903	65.19	10	866857	65.20	5
862815	65.25	4	862904	65.19	11	866858	65.20	7
862816	65.25	5	862906	66.08	7	866859	65.20	8
862818	65.17	4	862907	66.08	20	866860	65.20	9
862820	65.16	27	862908	66.08	8	866861	65.20	12
862821	65.20	15	862909	66.08	21	866862	65.20	16
862823	65.21	7	863003	66.08	24	866863	65.20	22
862825	65.21	17	8633920001	66.04	11	866864	65.20	24
862826	65.22	8	863408	66.07	6	866865	65.20	25
862827	65.20	17	863669	67.26	1	866866	65.20	27
862830	65.25	11	863672	67.26	2	866867	65.20	28
862832	65.23	15	86375100WGB	66.03	1	866868	65.20	29
862833	65.23	14	863860	66.04	6	866869	65.20	30
862834	65.18	14	863908	66.01	37	866870	65.21	4
862835	65.21	20	863908	66.03	29	866871	65.21	10
862836	65.21	2	863992	66.14	4	866872	65.21	11
862838	65.23	16	86420600WOB	66.07	1	866873	65.21	16
862839	65.22	13	864249	66.04	9	866874	65.22	20
862840	65.22	23	864254	66.05	42	866875	65.22	22
862842	65.23	4	864393	66.04	28	866876	65.23	2
862843	65.15	24	864396	66.03	4	866877	65.23	7
862844	65.22	30	864397	66.03	5	866878	65.23	9
862845	65.15	4	864398	66.03	26	866879	65.23	17
862847	65.15	10	864454	66.11	24	866880	65.23	18
862848	65.22	25	864457	66.01	1	866881	65.23	19
862849	65.22	28	864514	65.21	24	866882	65.23	20
862850	65.16	21	864587	66.08	28	866883	65.24	1
862851	65.16	19	864732	66.10	9	866884	65.25	6
862852	65.24	4	864811	66.12	1	866885	66.08	4
862853	65.23	12	864840	66.08	1	866886	66.13	13
862855	65.16	24	864869	66.13	1	866887	66.13	14
862857	65.16	15	865004	66.14	3	866888	66.13	15
862857	65.20	14	865120	66.13	2	866889	66.13	16
862858	65.15	18	865132	66.14	4	866890	66.13	17
862859	65.21	22	865534	66.09	11	866891	66.13	18
862863	65.15	15	8657120001	66.03	30	866892	66.13	19
862863	65.15	25	8657130001	66.03	31	866893	66.13	20
862863	65.22	18	865968	66.04	3	866894	66.13	21
862864	65.18	3	8665600003	66.07	43	866895	66.13	23
862865	65.19	4	8665620003	66.07	44	866896	66.13	24
862866	65.22	1	866791	66.04	31	866897	66.13	25



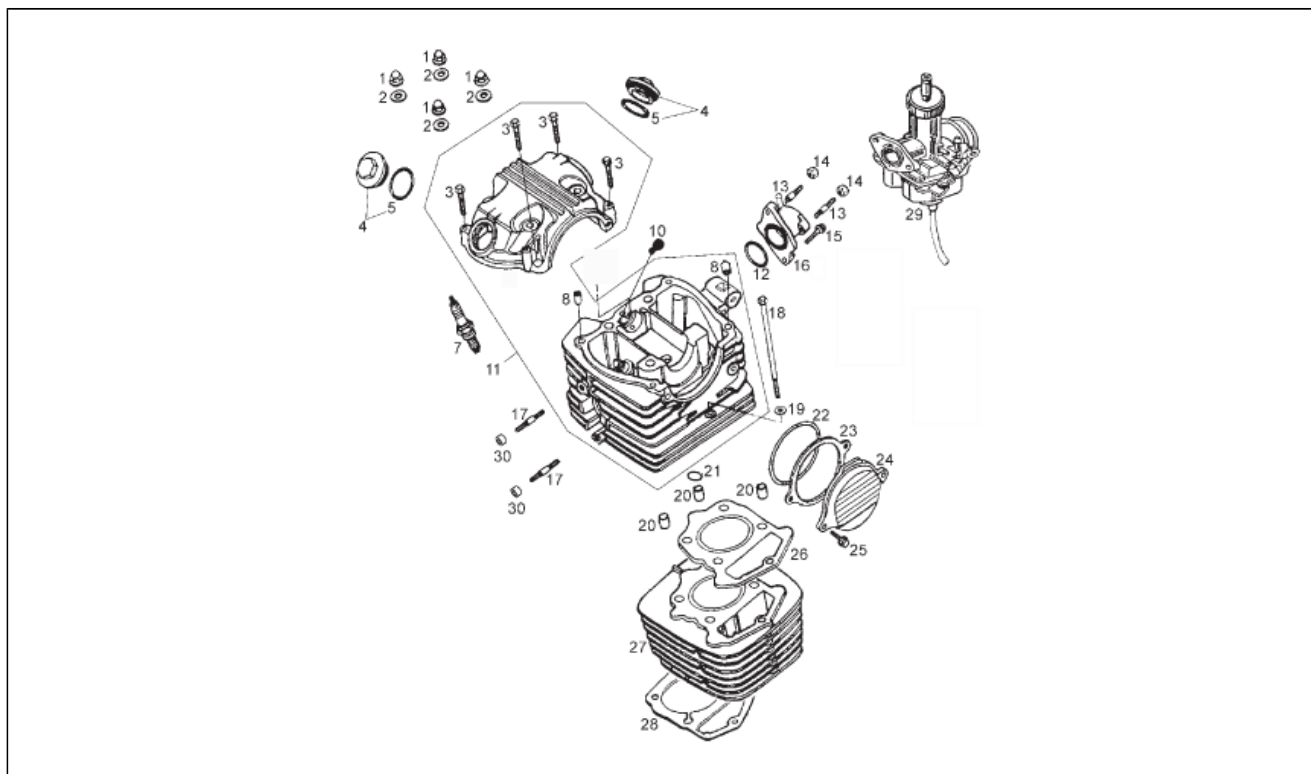
Code	Drawing Nr.	Pos.
866908	65.24	6
86693000W0B	66.05	1
866931	66.05	55
866935	66.07	32
866936	66.07	10
866980	66.07	3
86702500W0B	66.05	2
86702600W0B	66.05	3
8670270001	66.05	47
8670280001	66.05	48
8670290001	66.05	49
8670300001	66.05	50
8670350001	66.05	45
8670360001	66.05	46
8670370001	66.05	52
8670380001	66.05	54
86703900W0B	66.05	22
942577	66.08	9
967299	66.13	4
AP8150450	66.07	45
AP8152339	66.05	38
AP9100053	66.05	57

Assembly	ENGINE
Code	65.15
Description	Cylinder - Cylinder head
Revision	1



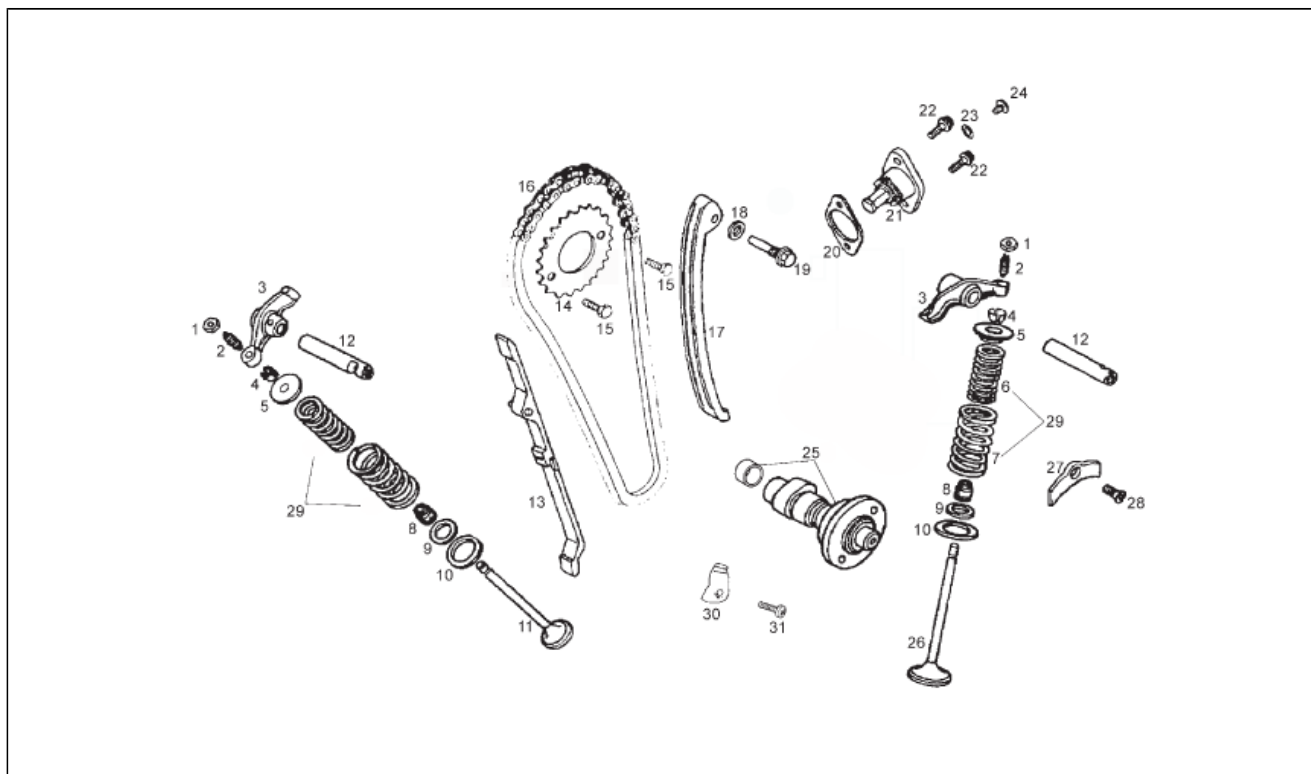
Pos.	Code	Description	Q.ty	Variants
1	862880	Nut M8	0	
2	866831	Washer	0	
3	862869	Screw	0	
4	862845	Cover	0	
5	862676	Ring 35X3	0	
7	862704	Spark plug	0	Technical Specifications: Maintenance kit item[M]
8	862722	Pin	0	
10	862847	Plug	0	
11	866832	Cylinder head	0	
12	862675	Ring 33,2X3	0	
13	862759	Stud bolt	0	
14	00026006000	Nut 6M100	0	
15	862863	Screw M6x20	0	
16	866833	Union	0	
17	862758	Stud bolt	0	
18	862858	Screw M6x110	0	
19	862699	Washer D6	0	
20	862723	Pin	0	
21	862671	Ring 10X1,6	0	
22	862678	Ring 75x2.65	0	
23	862775	Gasket	0	
24	862843	Cover	0	
25	862863	Screw M6x20	0	
26	862772	Gasket	0	
27	862724	Cylinder	0	
28	862771	Gasket	0	
29	862710	Carburettor	0	
29	866834	Carburettor	0	

Assembly	ENGINE
Code	65.15
Description	Cylinder - Cylinder head
Revision	1



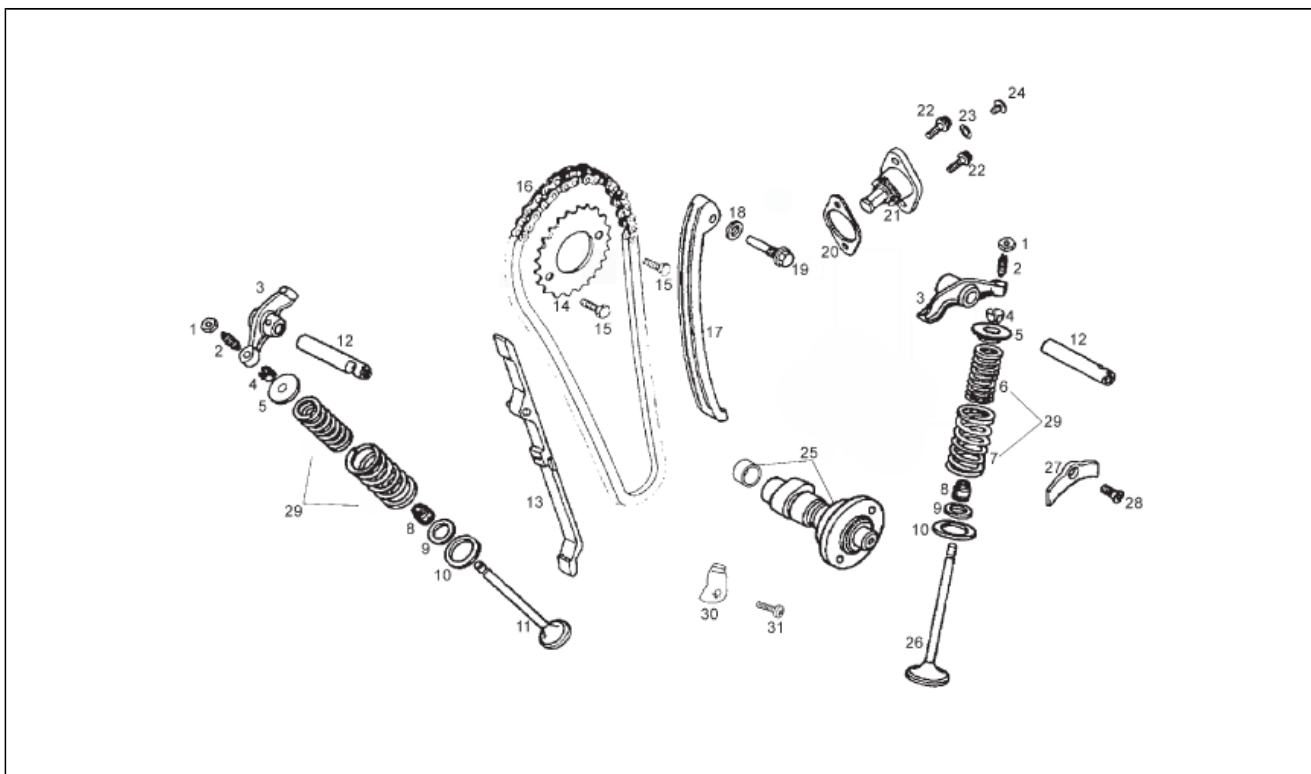
Pos.	Code	Description	Q.ty	Variants
30	00G06300251	Ring nut	0	Technical Specifications:From frame 8H413156[T1]

Assembly	ENGINE
Code	65.16
Description	Timing system
Revision	1



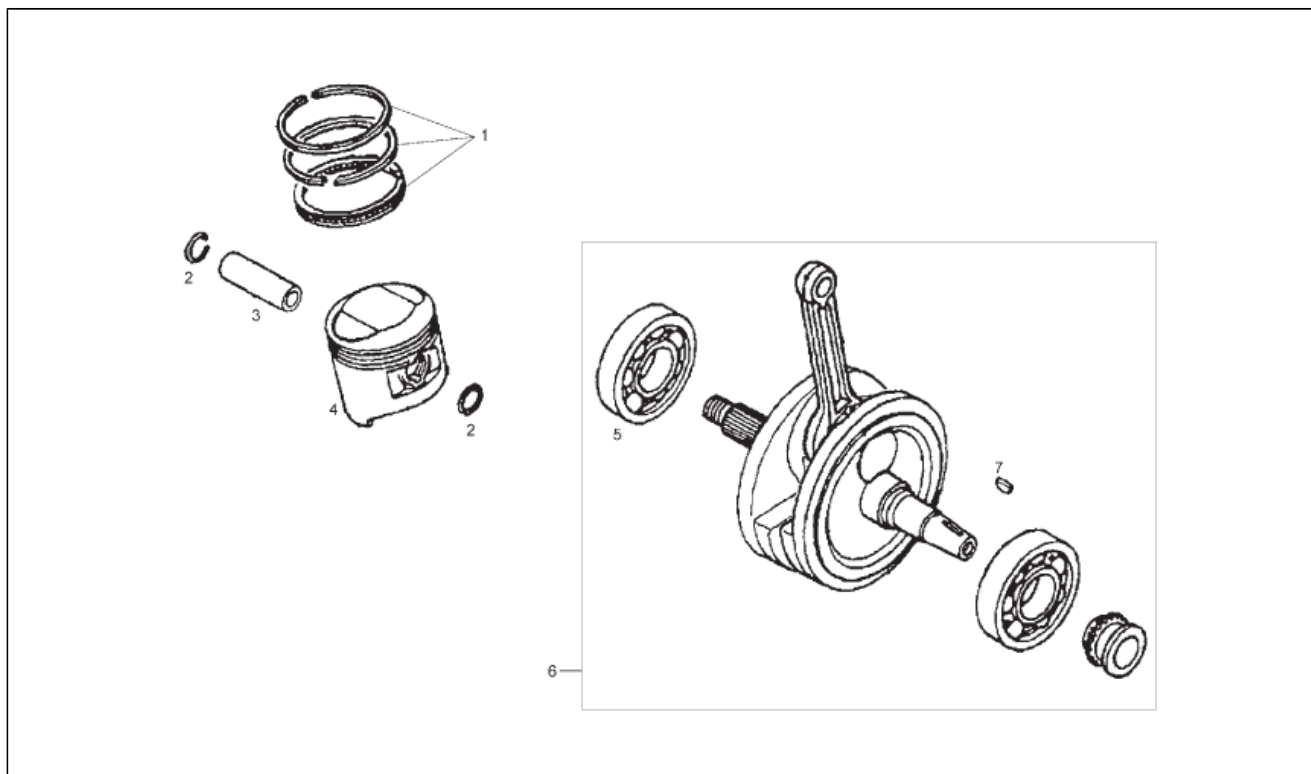
Pos.	Code	Description	Q.ty	Variants
1	862881	Nut	0	
2	862876	Screw	0	
3	862701	Rocker arm assy.	0	
4	862667	Ring	0	
5	862721	Cup	0	
8	866835	Gasket ring	0	
9	862720	Cup	0	
10	862719	Cup	0	
11	866836	Valve	0	
12	866837	Pin	0	
13	862798	Chain guide	0	
14	862735	Chain ring	0	
15	862857	Screw	0	
16	862706	Chain	0	
17	862799	Chain guide	0	
18	862692	Washer	0	
19	862851	Screw	0	
20	862777	Gasket	0	
21	862850	Chain tensioner	0	
22	866838	Screw	0	
23	866839	Ring 9X1,8	0	
24	862855	Screw	0	
25	866840	Camshaft	0	
26	862882	Valve	0	
27	862820	Plate	0	
28	866841	Screw	0	
29	866842	Spring	0	
30	866843	Plate	0	

Assembly	ENGINE
Code	65.16
Description	Timing system
Revision	1



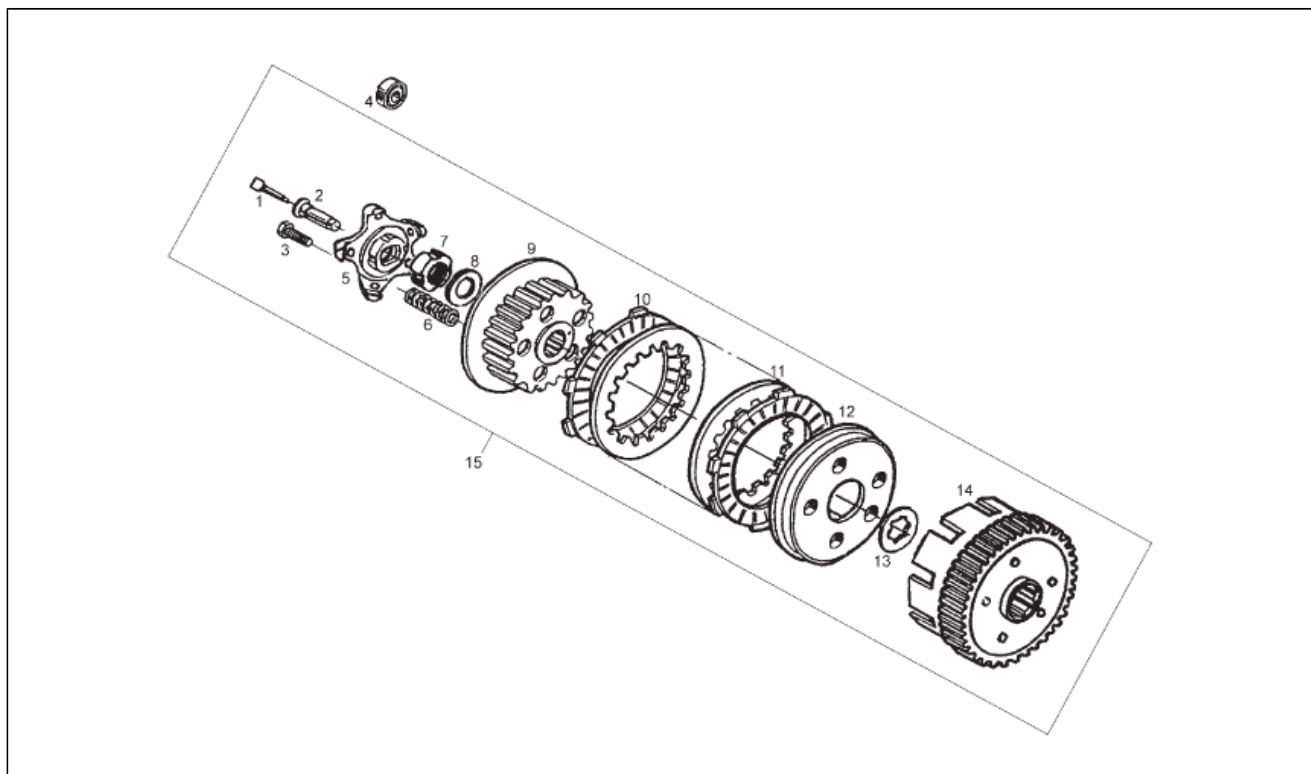
Pos.	Code	Description	Q.ty	Variants
31	866844	Screw	0	

Assembly	ENGINE
Code	65.17
Description	Starting shaft
Revision	1



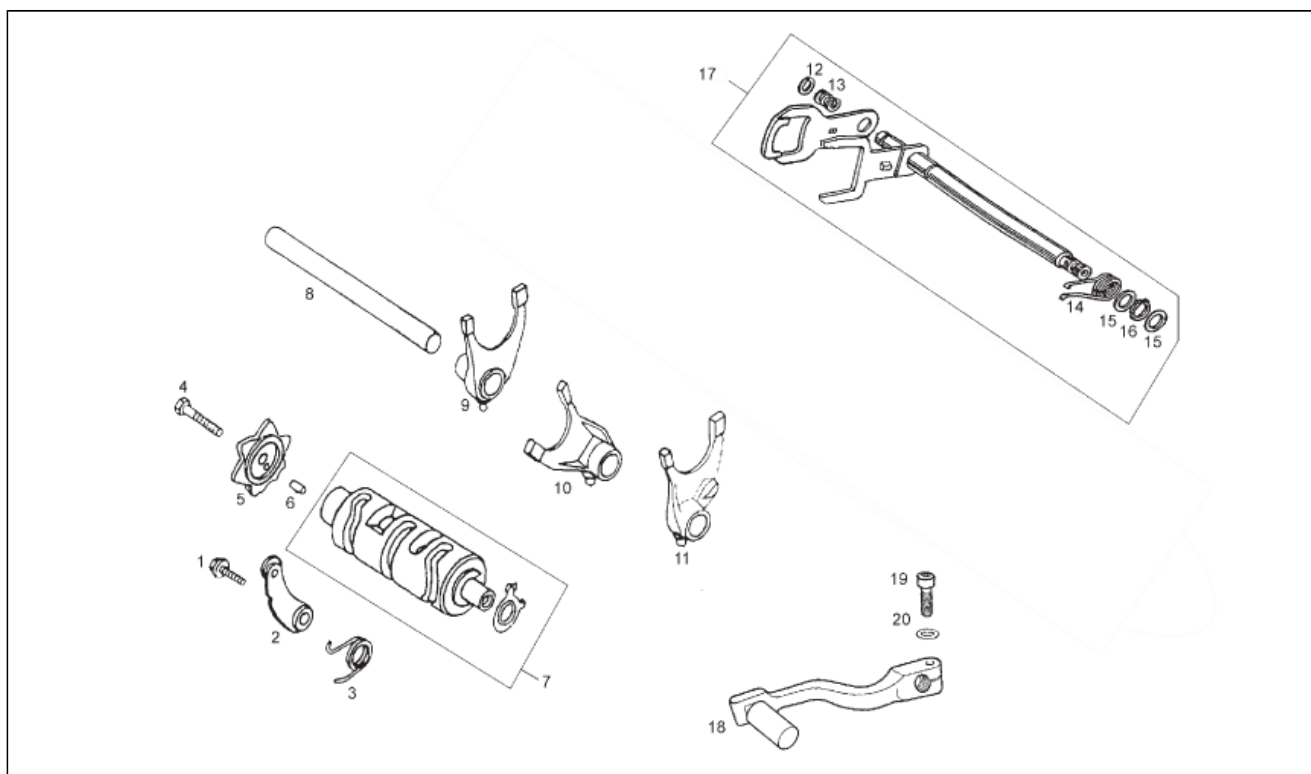
Pos.	Code	Description	Q.ty	Variants
1	862769	Piston rings set	0	Technical Specifications: Maintenance kit item[M]
2	862666	Ring	0	
3	862705	Piston pin	0	
4	862818	Piston	0	
5	862734	Bearing	0	
6	866845	Drive shaft	0	
7	862747	Transmission key	0	

Assembly	ENGINE
Code	65.18
Description	Clutch
Revision	1



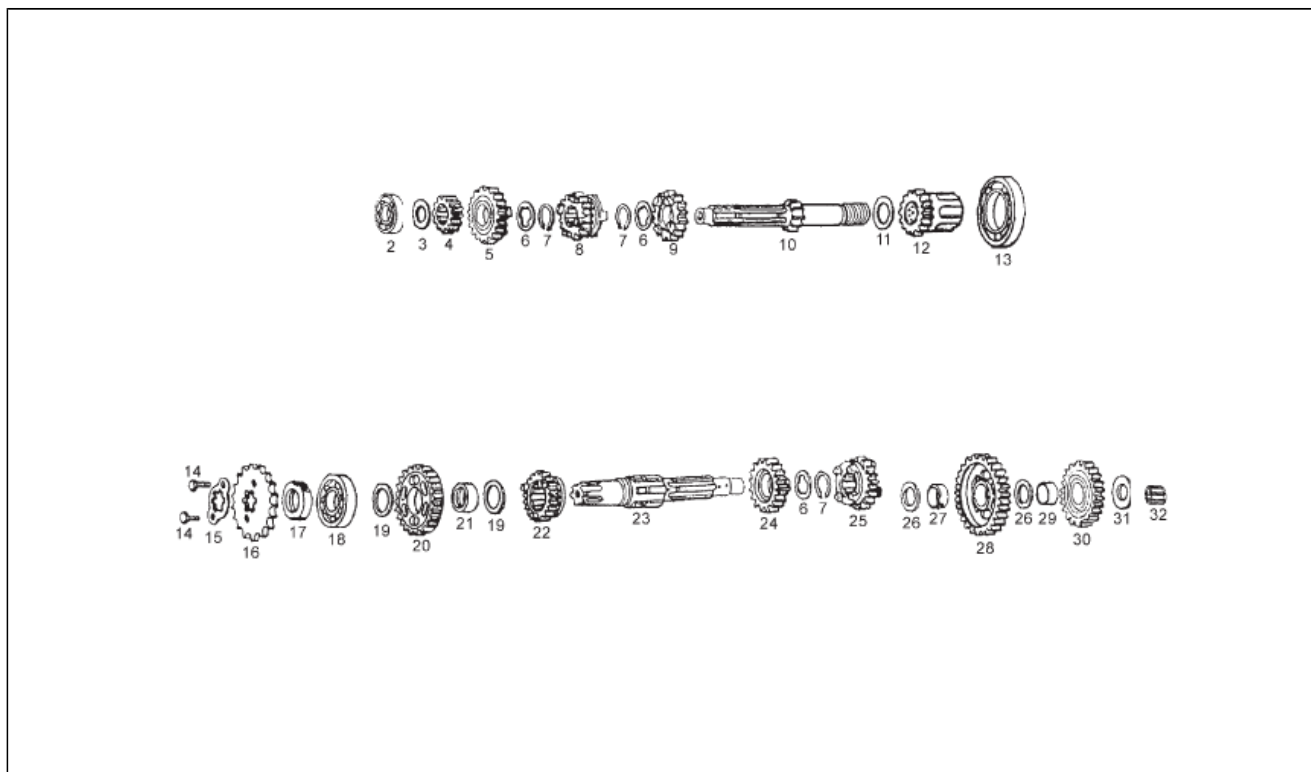
Pos.	Code	Description	Q.ty	Variants
1	866846	Pin	0	
2	866847	Ring nut	0	
3	862864	Screw	0	Technical Specifications: 5 for bike[N1]
4	862727	Bearing	0	
5	866848	Support	0	
6	862782	Spring	0	Technical Specifications: 5 for bike[N1]
7	862878	Nut	0	
8	862683	Washer	0	
9	866849	Drum	0	
10	862752	Disc	0	Technical Specifications: Maintenance kit item[M], 5 for bike[N1]
11	862748	Disc	0	Technical Specifications: Maintenance kit item[M], 4 for bike[N2]
12	866850	Clutch drum	0	
13	862682	Washer	0	
14	862834	Sprag clutch	0	
15	866851	Clutch cpl.	0	

Assembly	ENGINE
Code	65.19
Description	Selector shaft
Revision	1



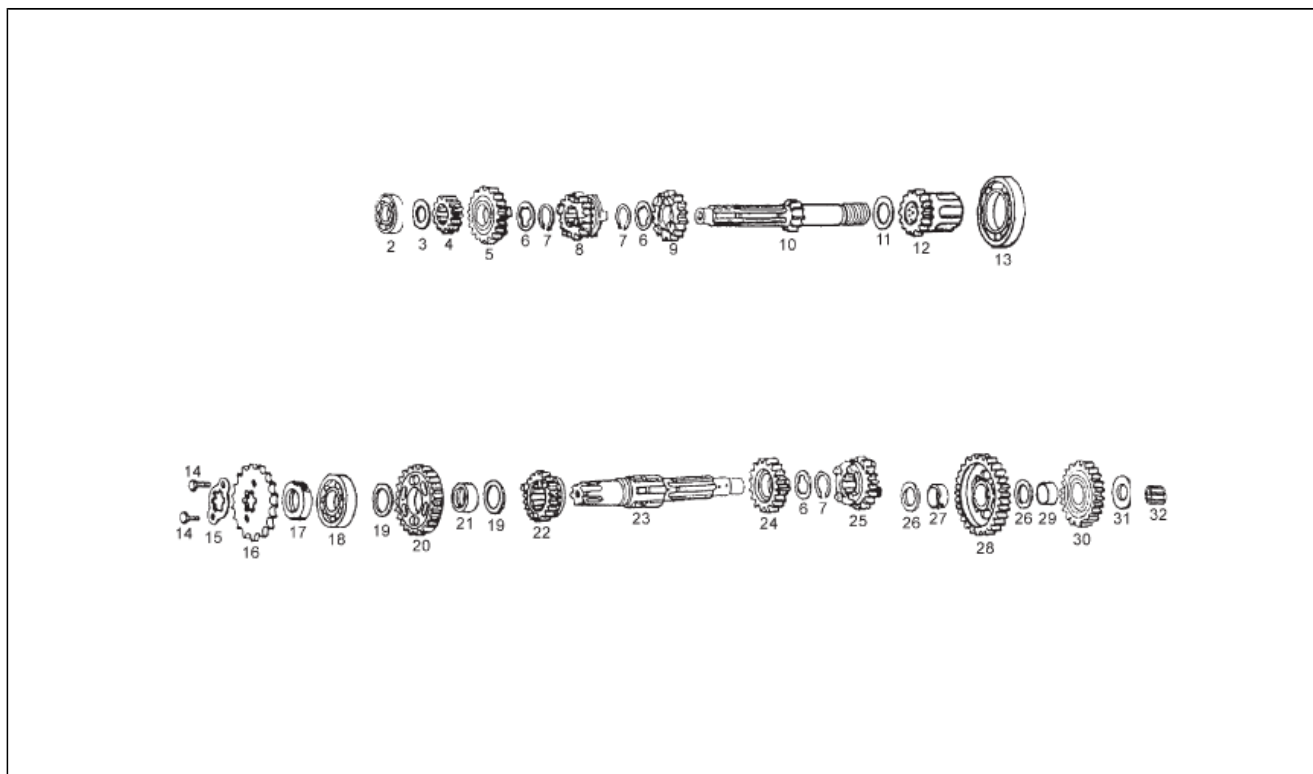
Pos.	Code	Description	Q.ty	Variants
1	866852	Screw	0	
2	862791	Plate	0	
3	862784	Spring	0	
4	862865	Screw	0	
5	866853	Drum	0	
6	862794	Piston pin	0	
7	862742	Drum	0	
8	862755	Pin	0	
9	862767	Fork	0	
10	862903	Fork	0	
11	862904	Fork	0	
12	862669	Circlip	0	
13	862789	Spring	0	
14	866854	Spring	0	
15	862686	Washer	0	
16	862670	Circlip	0	
17	866855	Selector	0	
18	00H02705421	Gear lever	0	Technical Specifications: Maintenance kit item[M]
19	00002062511	Screw 6M100X25	0	
20	00442060002	Washer D6	0	

Assembly	ENGINE
Code	65.20
Description	Gear box
Revision	1



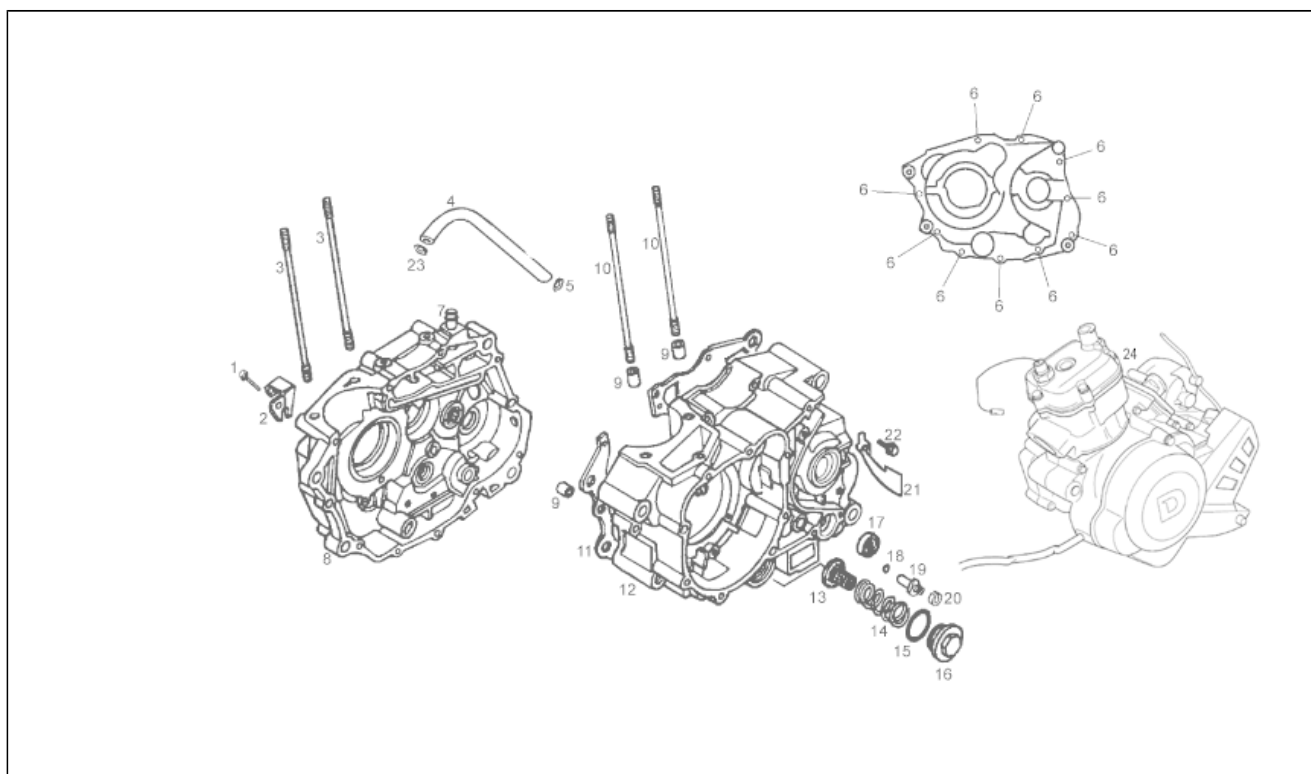
Pos.	Code	Description	Q.ty	Variants
2	862728	Bearing	0	
3	862687	Washer	0	
4	866856	Pinion 2A	0	
5	866857	Pinion 5A	0	
6	862684	Washer	0	
7	866858	Circlip	0	
8	866859	Pinion 4A	0	
9	866860	Pinion 3A	0	
10	862756	Primary gear shaft	0	
11	862690	Washer	0	
12	866861	Pinion	0	
13	862725	Bearing	0	
14	862857	Screw	0	
15	862821	Plate	0	
16	866862	Pinion	0	Technical Specifications: Maintenance kit item[M]
17	862827	Oil seal	0	
18	862726	Bearing	0	
19	862691	Washer	0	
20	862802	Pinion 2A	0	
21	862715	Ring nut	0	
22	866863	Pinion 5A	0	
23	862753	Driven shaft	0	
24	866864	Pinion 4A	0	
25	866865	Pinion 3A	0	
26	862689	Washer	0	
27	866866	Ring nut	0	
28	866867	Pinion 1A	0	
29	866868	Bush	0	

Assembly	ENGINE
Code	65.20
Description	Gear box
Revision	1



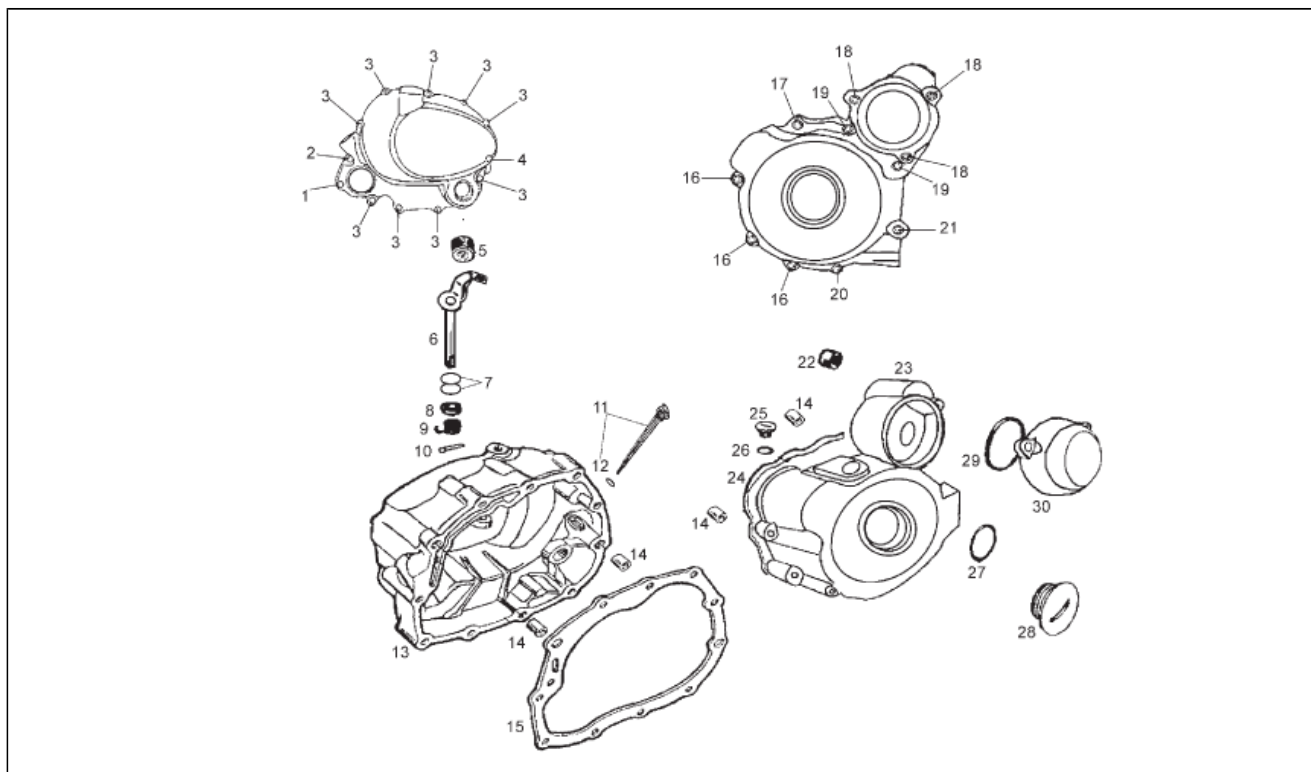
Pos.	Code	Description	Q.ty	Variants
30	866869	Bush	0	
31	862688	Washer	0	
32	862717	Roller cage	0	

Assembly	ENGINE
Code	65.21
Description	Crank-case I
Revision	1



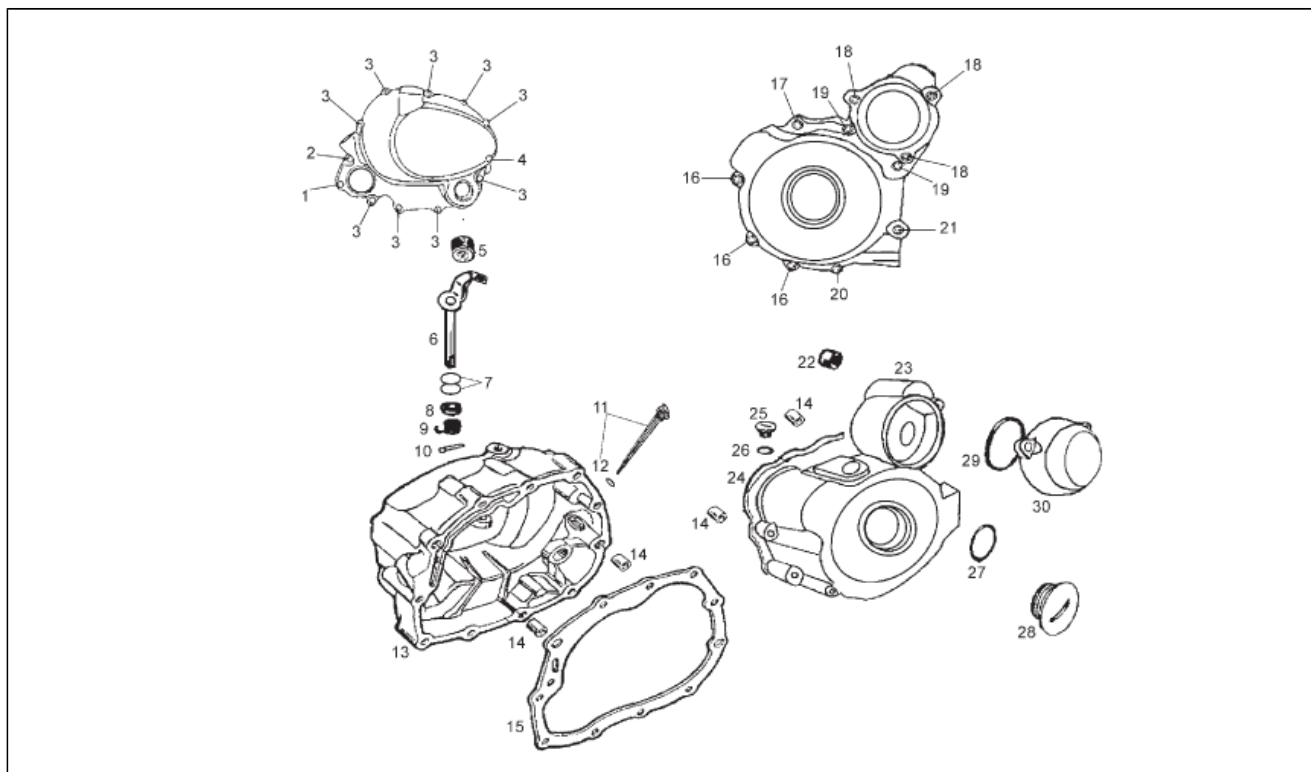
Pos.	Code	Description	Q.ty	Variants
1	862873	Screw	0	
2	862836	Screw	0	
3	862760	Stud bolt	0	
4	866870	Pipe	0	
5	862665	Hose clamp	0	
6	862871	Screw	0	
7	862823	Union	0	
8	862711	Right crankcase	0	
9	862793	Piston pin	0	
10	866871	Stud bolt	0	
11	866872	Gasket	0	
12	862712	Left crankcase	0	
13	862763	Oil filter	0	
14	862780	Spring	0	
15	862676	Ring 35X3	0	
16	866873	Plug	0	
17	862825	Oil seal	0	
18	862679	Ring 7X1,7	0	
19	862768	Switch	0	
20	862835	Ring nut	0	
21	862703	Plate	0	
22	862859	Screw	0	
23	00H06400291	Hose clamp	0	
24	864514	CTO.MOTOR 125 4T (E3) ZONGSHEN 07	1	

Assembly	ENGINE
Code	65.22
Description	Crank-case II
Revision	1



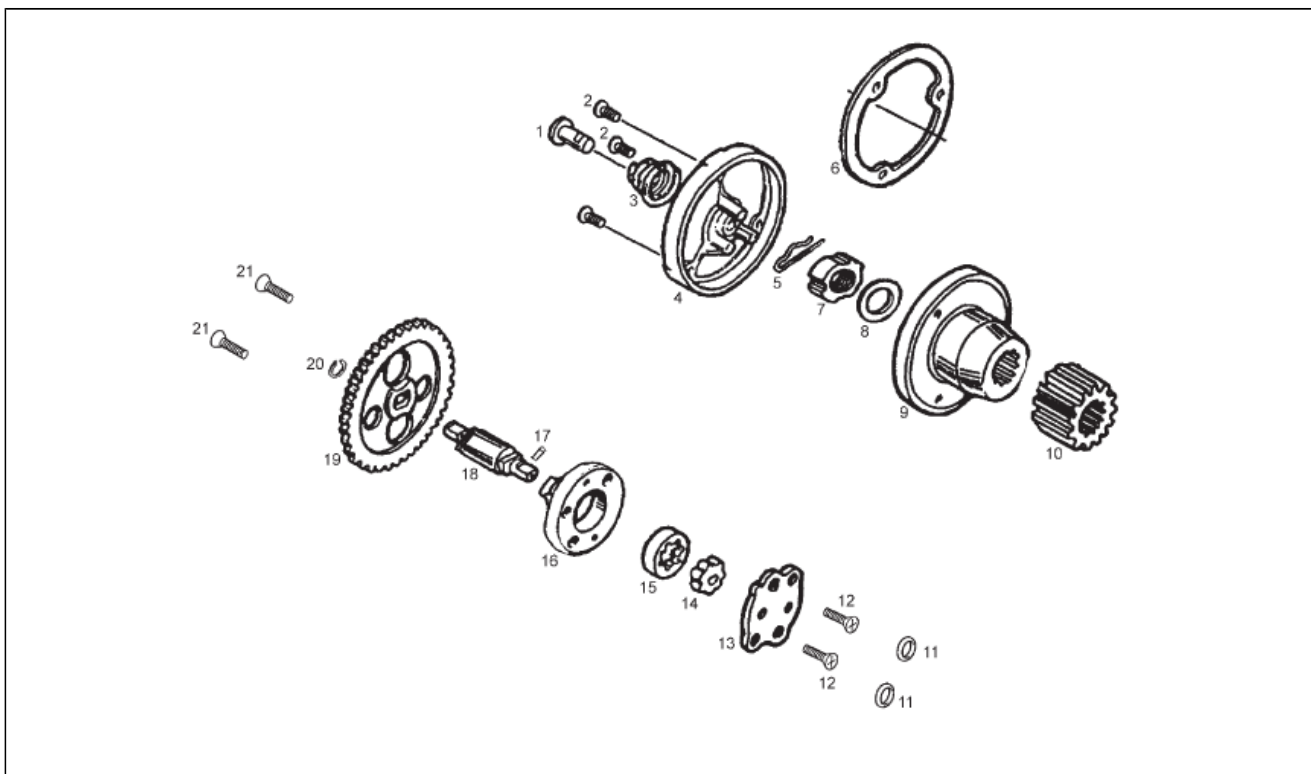
Pos.	Code	Description	Q.ty	Variants
1	862866	Screw	0	
2	862869	Screw	0	
3	862870	Screw	0	
4	862871	Screw	0	
5	862778	Oil level plug	0	
6	862790	Clutch lever	0	
7	862681	Ring 9,1,8	0	
8	862826	Oil seal	0	
9	862787	Spring	0	
10	862795	Piston pin	0	
11	862886	Plug	0	
12	862673	Ring 18X3	0	
13	862839	Cover	0	
14	862722	Pin	0	
15	862773	Gasket	0	
16	862866	Screw	0	
17	862869	Screw	0	
18	862863	Screw M6x20	0	
19	862872	Screw	0	
20	866874	Screw	0	
21	862873	Screw	0	
22	866875	Bearing	0	
23	862840	Cover	0	
24	862774	Gasket	0	
25	862848	Plug	0	
26	862672	Ring 13,2X2,65	0	
27	862674	Ring 27,4X2,65	0	
28	862849	Plug	0	

Assembly	ENGINE
Code	65.22
Description	Crank-case II
Revision	1



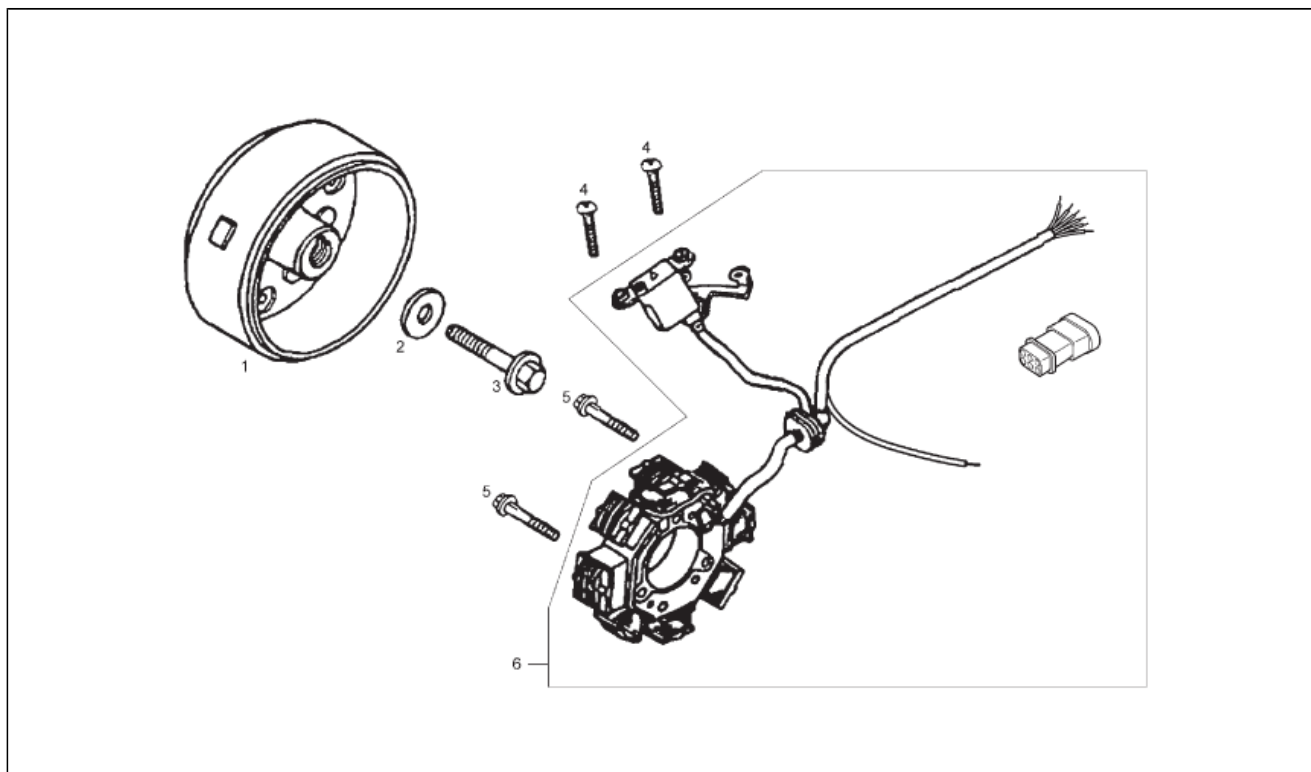
Pos.	Code	Description	Q.ty	Variants
29	862677	Ring 63X2,65	0	
30	862844	Cover	0	

Assembly	ENGINE
Code	65.23
Description	Oil pump
Revision	1



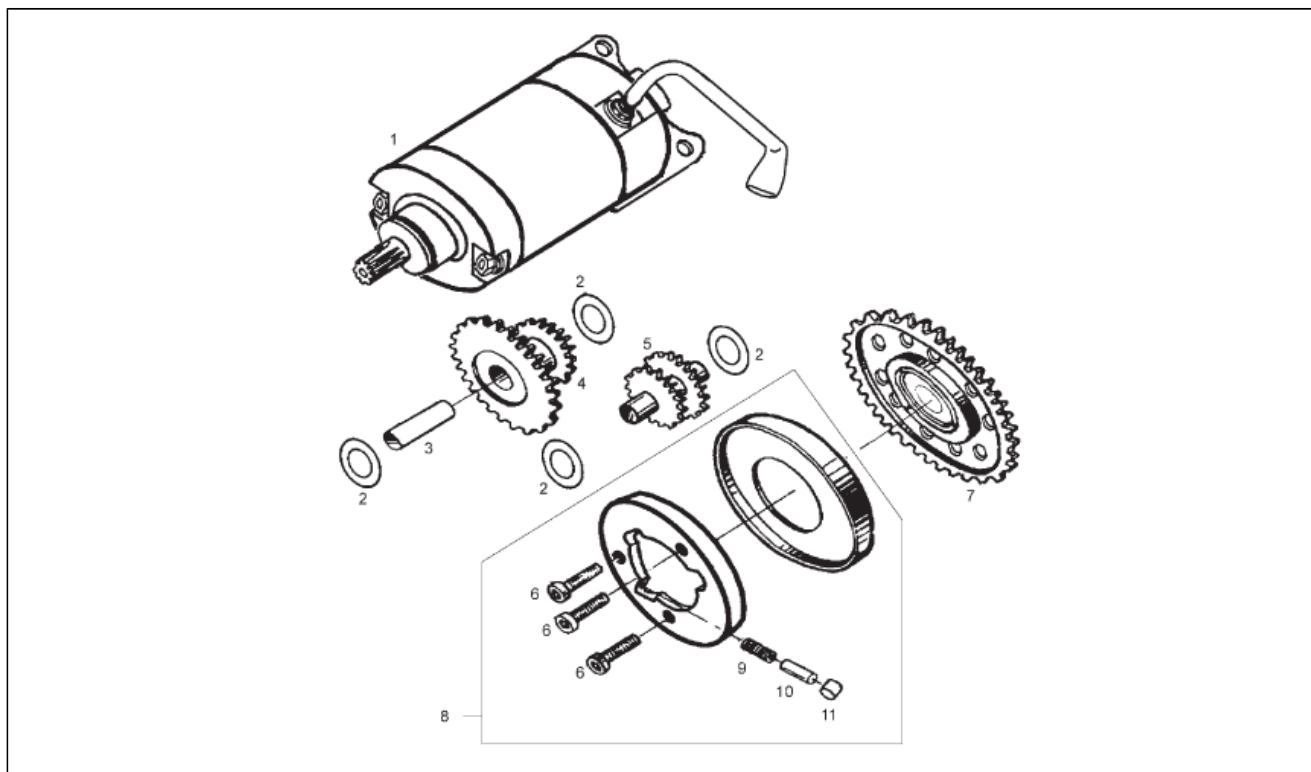
Pos.	Code	Description	Q.ty	Variants
1	862766	Pin	0	
2	866876	Screw	0	
3	862785	Spring	0	
4	862842	Cover	0	
5	862792	Pin	0	
6	862776	Gasket	0	
7	866877	Nut	0	
8	862683	Washer	0	
9	866878	Inner body	0	
10	862814	Pinion	0	
11	862680	Ring 9,4X2,4	0	
12	862853	Screw	0	
13	862745	Cover	0	
14	862833	Outer rotor	0	
15	862832	Inner rotor	0	
16	862838	Cover	0	
17	866879	Pin	0	
18	866880	Rod	0	
19	866881	Pinion	0	
20	866882	Clip M6	0	
21	862868	Screw	0	

Assembly	ENGINE
Code	65.24
Description	Ignition unit
Revision	1



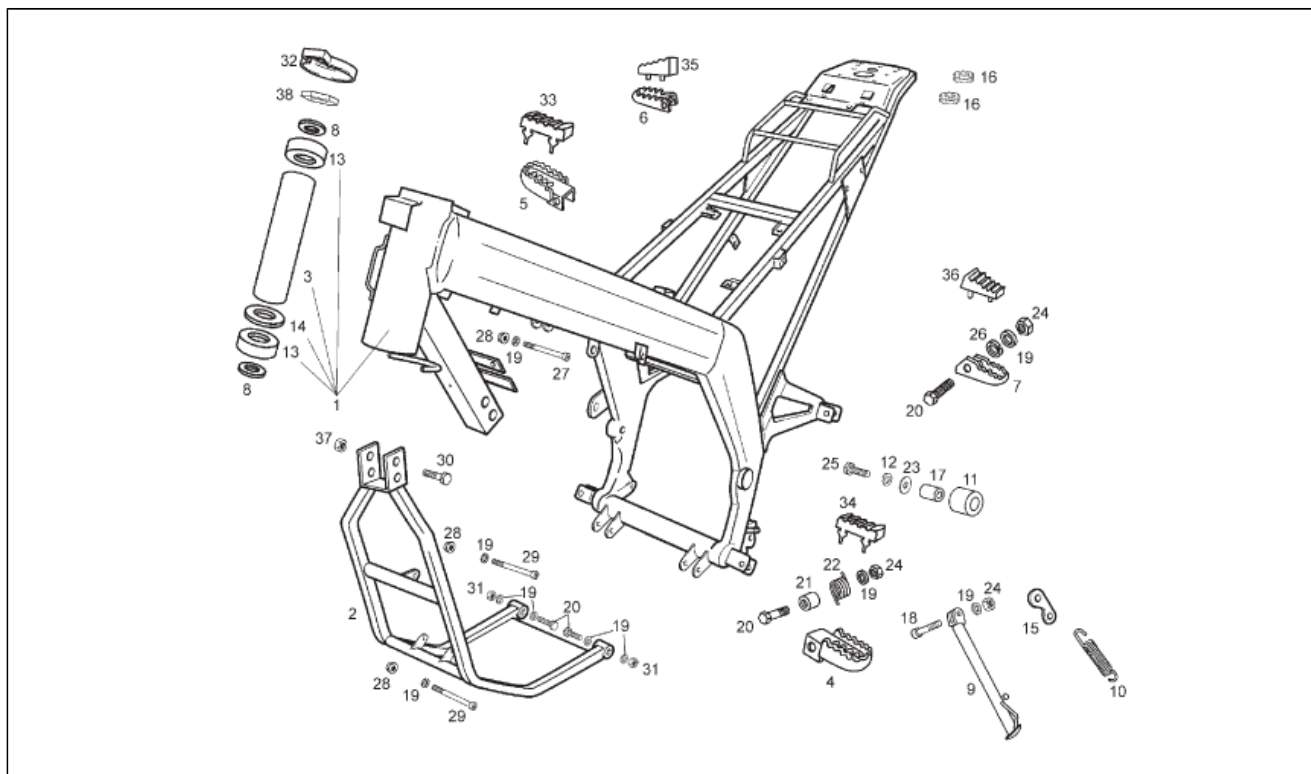
Pos.	Code	Description	Q.ty	Variants
1	866883	Flywheel rotor	0	
2	862694	Washer	0	
3	862875	Screw M8X33	0	
4	862852	Screw	0	
5	862867	Screw	0	
6	866908	Stator	0	

Assembly	ENGINE
Code	65.25
Description	Starter motor - Ignition unit
Revision	1



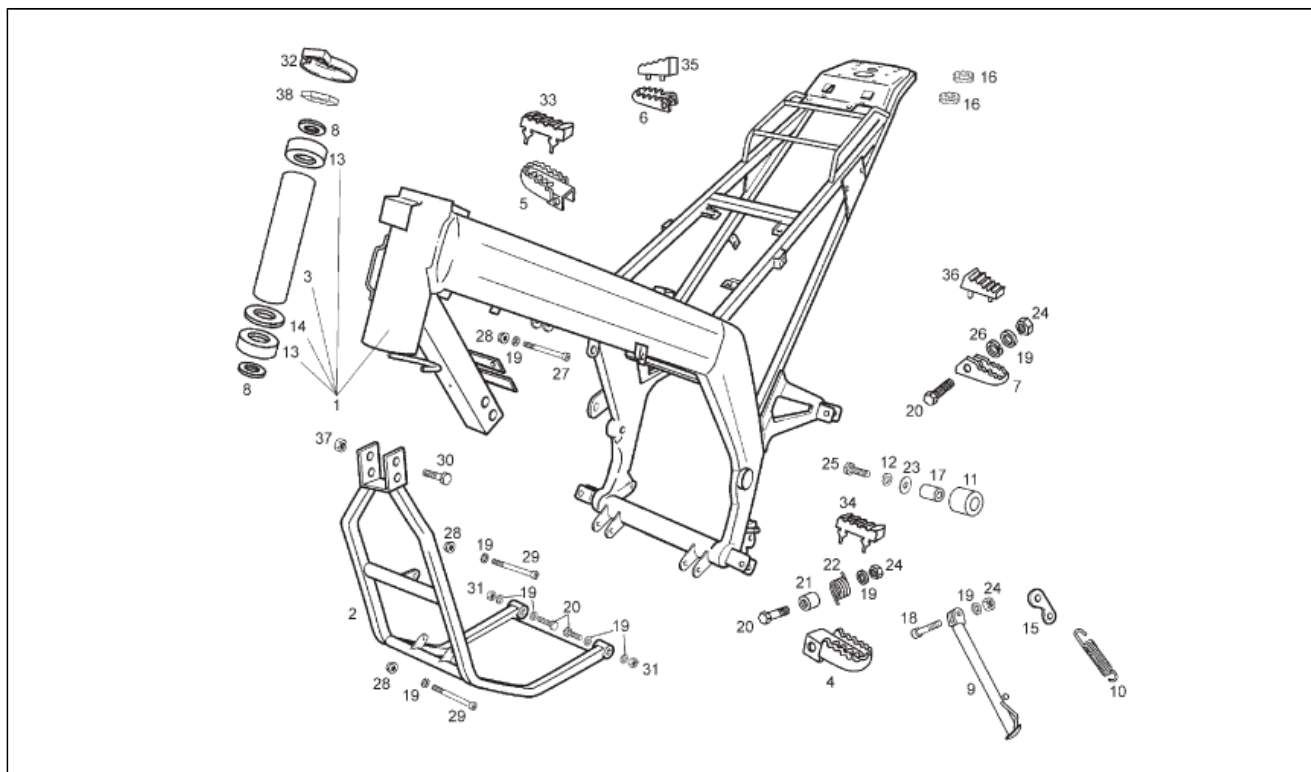
Pos.	Code	Description	Q.ty	Variants
1	862779	Starter motor	0	
2	862685	Washer	0	
3	862757	Rod	0	
4	862815	Pinion 1	0	
5	862816	Pinion 2	0	
6	866884	Screw	0	
7	862809	Pinion	0	
8	862740	Starter clutch	0	
9	862781	Spring	0	
10	862884	Rod	0	
11	862830	Roller	0	

Assembly	FRAME
Code	66.01
Description	Frame
Revision	1



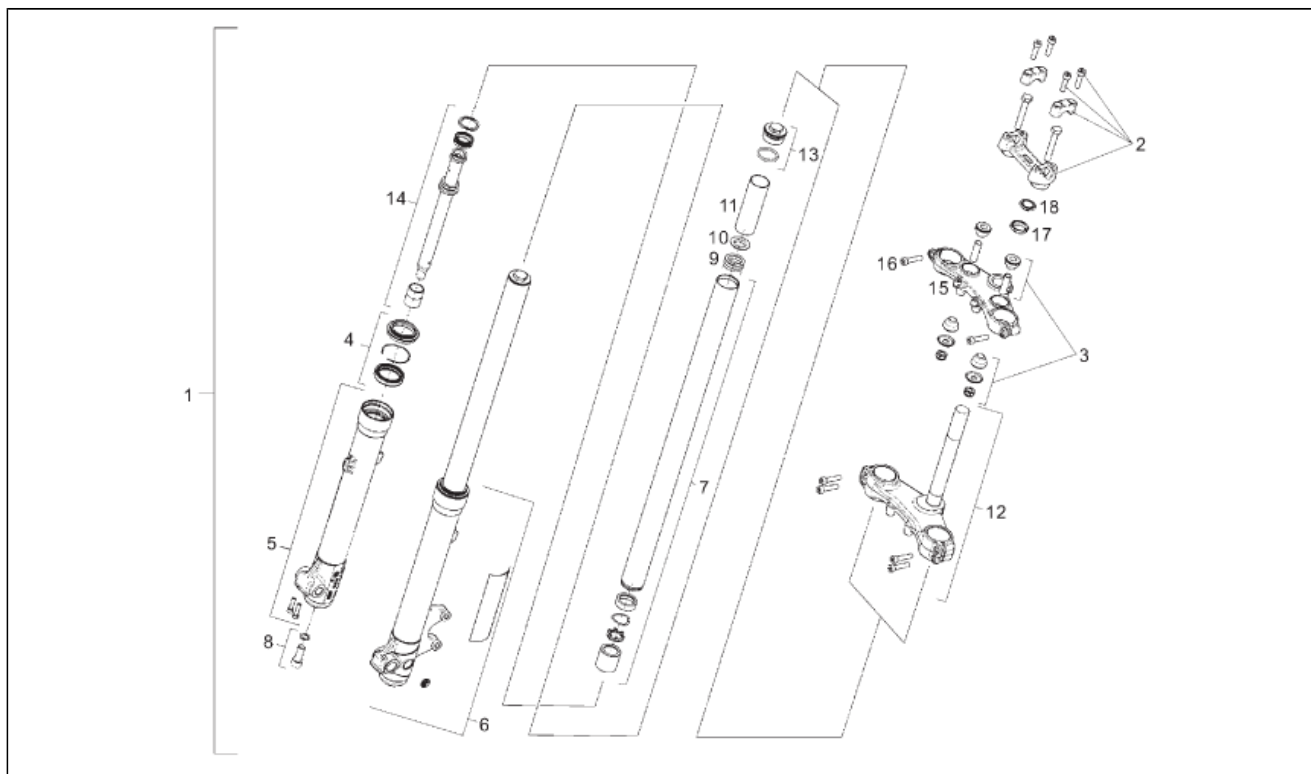
Pos.	Code	Description	Q.ty	Variants
1	864457	Frame	0	
2	00H00112941	Frame	0	
3	00H06303401	Pipe	0	
4	00H02201312	LH Foot rests	0	
5	00H02201302	RH Foot rests	0	
6	00D01520096	Rear footrest, RH	0	
7	00D01540456	Rear footrest, LH	0	
8	00008902630	Washer	0	
9	00H00825011A	Central stand	0	
10	00H00804081	Spring	0	
11	00H01801771	Roller	0	
12	00033008001	Stop ring	0	
13	00000056205	Bearing	0	
14	00H06500451	Washer	0	
15	00H00800422	Plate	0	
16	00H00501761	Silent-block	0	
17	00002518790	Bushing	0	
18	00H00805072	Stand pin	0	
19	00402080001	Washer D8	0	
20	00022084021	Screw M125X40	0	
21	00002215152	Bushing	0	
22	00H04903292	Spring	0	
23	00003306570	Washer	0	
24	00023108000	Nut M8x125	0	
25	00002084514	Screw 8M125X45	0	
26	00036008000	Washer	0	
27	00002086531	Screw 8M125X65	0	
28	00026008001	Nut 8M125	0	

Assembly	FRAME
Code	66.01
Description	Frame
Revision	1



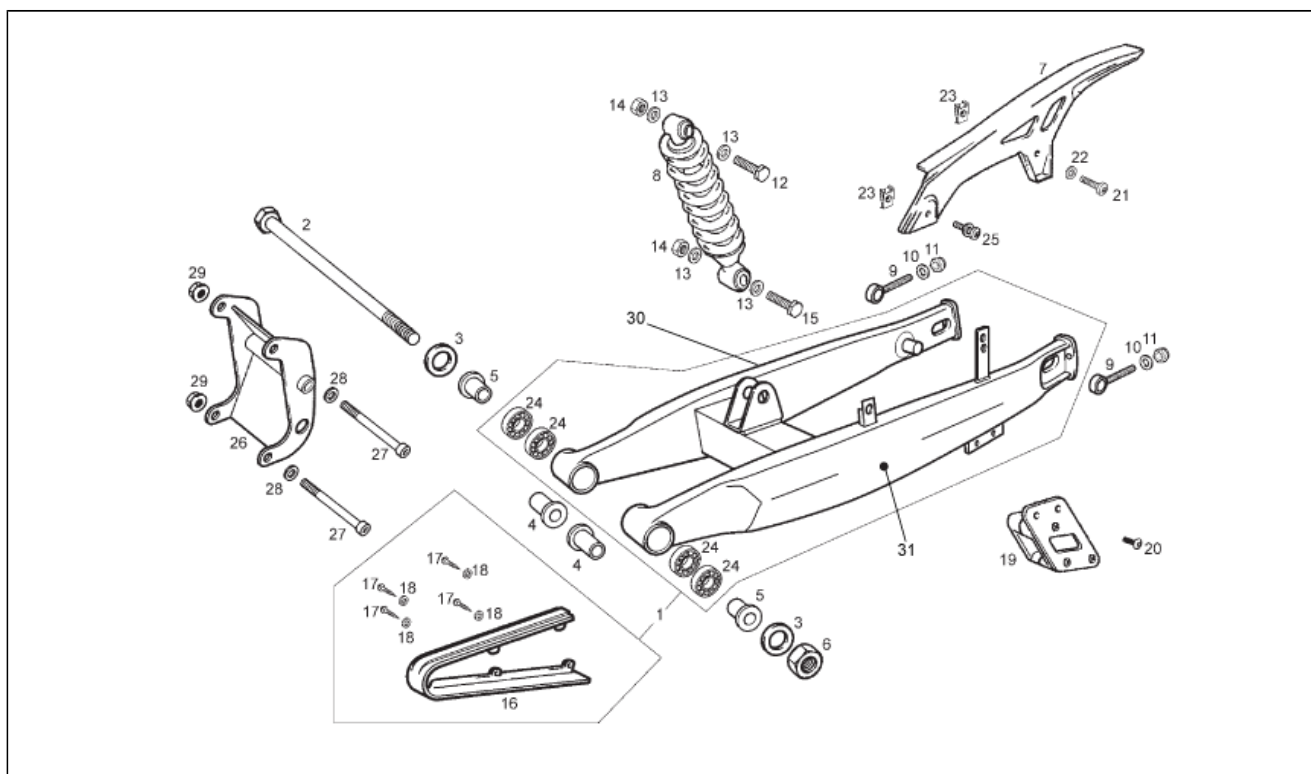
Pos.	Code	Description	Q.ty	Variants
29	00H02500272	Screw 8M125X90	0	
30	00031107023	Screw 10M150X70	0	
31	00262080022	Nut 8M125	0	
32	00D00200761	Dust cover	0	
33	00H01502101	RH protection	0	
34	00H01501501	LH protection	0	
35	00H01503101	RH protection	0	
36	00H01502501	LH protection	0	
37	863908	Nut 10M150	0	
38	00G00200112	Nut	0	

Assembly	FRAME
Code	66.02
Description	Front fork
Revision	1



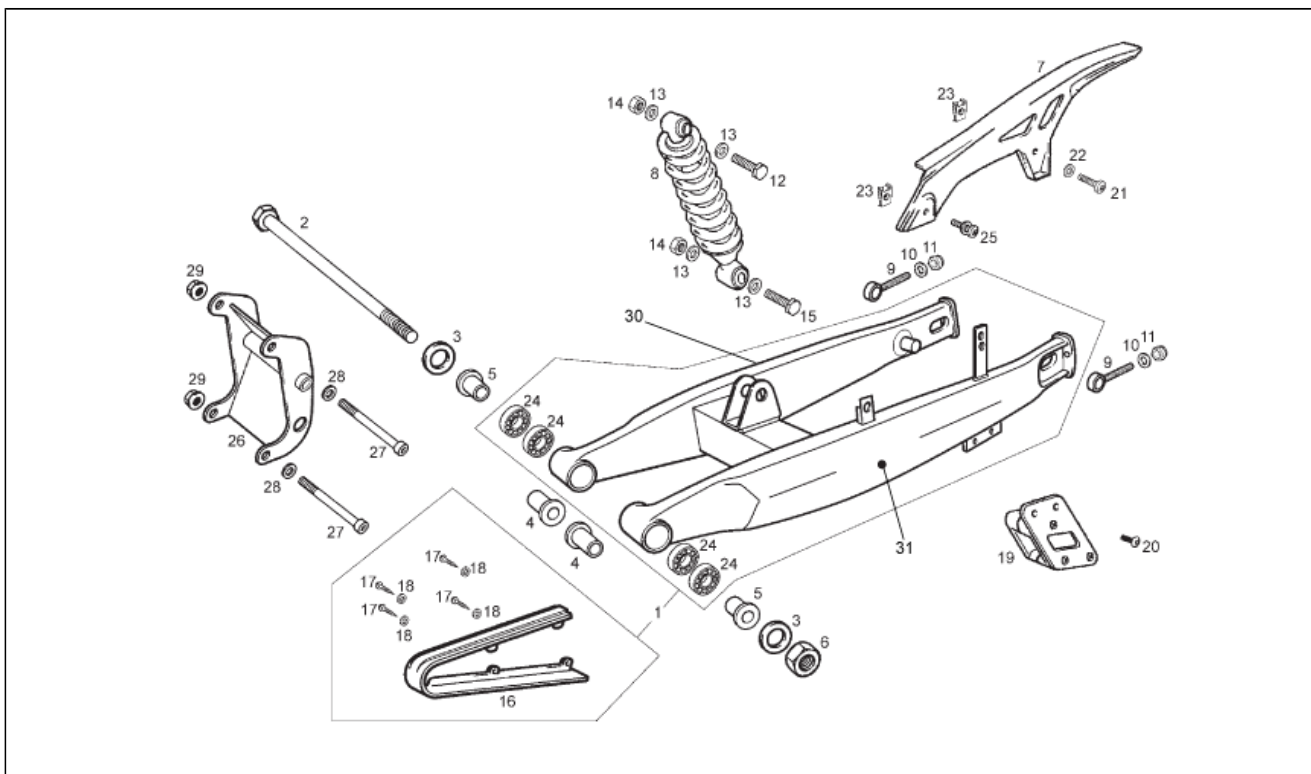
Pos.	Code	Description	Q.ty	Variants
1	00H00233001	Front fork	0	
2	00H00204741	U-bolt	0	
3	00H02001841	Bushes kit	0	
4	00H00205231	Engine oil seal kit	0	
5	00H02018031	RH sleeve	0	
6	00H02018041	LH sleeve	0	
7	00H02004871	Pipe	0	
8	00H02001741	Screw	0	
9	00H00214171	Spring	0	
10	00H00203691	Washer	0	
11	00H00206151	Pipe	0	
12	00H00215011	Stem base	0	
13	00H00207271	Plug	0	
14	00H00206531	Plunger	0	
15	00H00215091	Upper plate	0	
16	00008083500	Screw	0	
17	00H00204601	Nut	0	
18	00H00206111	Plug	0	

Assembly	FRAME
Code	66.03
Description	Swing arm - Shock absorber
Revision	1



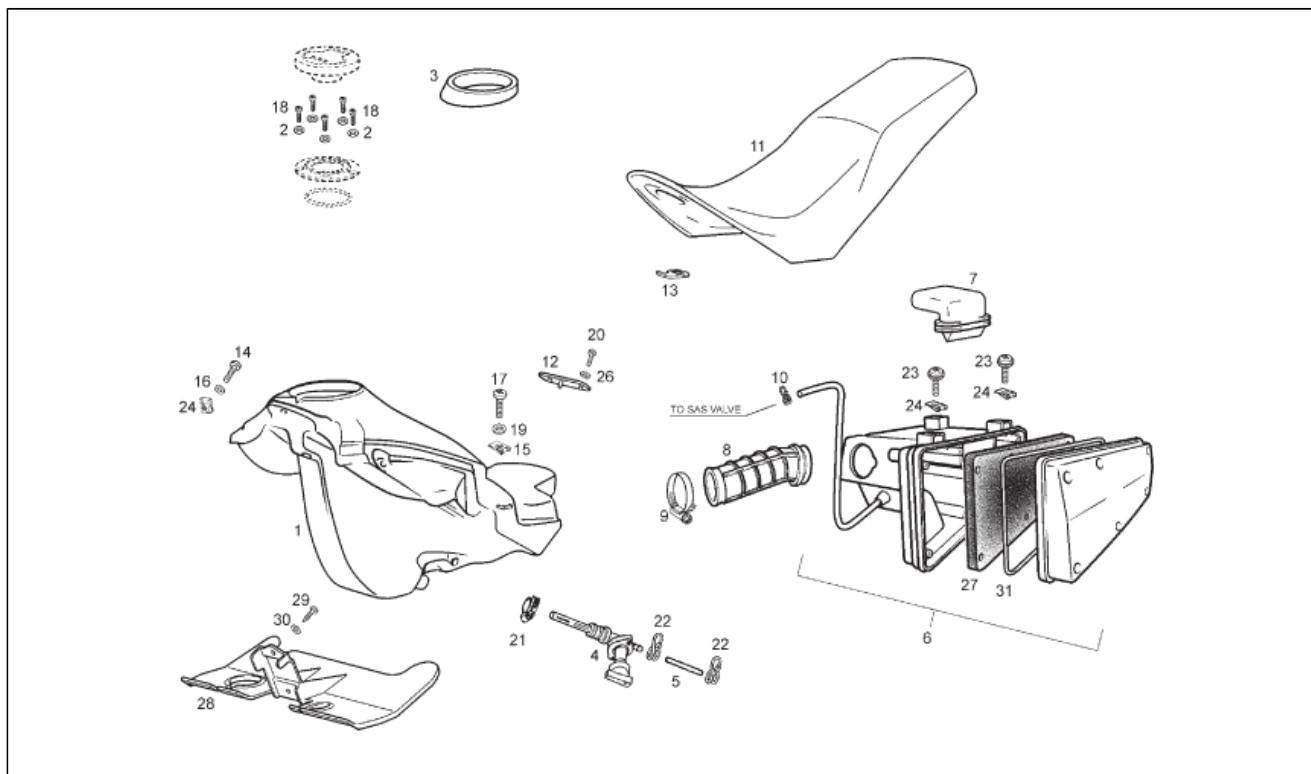
Pos.	Code	Description	Q.ty	Variants
1	86375100WGB	Swing arm	0	
2	00H00305411	Pin	0	
3	00032015000	Washer	0	
4	864396	Bush	0	
5	864397	Bush	0	
6	00H00300672	Nut	0	
7	00H01508181	Chain cover	0	
8	00H01517191	Rear shock absorber	0	
9	00H01305171	Chain guide plate	0	
10	00402060001	Washer D6 DIN125 AZNB	0	
11	00000023060	Nut M6100	0	
12	00H00303892	Screw	0	
13	00003115422	Washer	0	
14	00023112000	Nut 12MX175	0	
15	00H00302892	Screw 12M175X50	0	
16	00H01807331	Chain guide	0	
17	00000011416	Self-tap screw 4,8x16	0	
18	00031105000	Washer D5	0	
19	86133R	Chain guide	0	
20	00092061214	Screw 6M100X12	0	
21	00012061200	Screw 6MX100X12	0	
22	00D01200171	Washer D6	0	
23	00D01501371	Nut D6	0	
24	00058000301	Bearing	0	
25	00H05900021	Screw 6M100X16	0	
26	864398	Support	0	
27	00011101112	Screw 10M150X110	0	
28	00402100001	Washer	0	

Assembly	FRAME
Code	66.03
Description	Swing arm - Shock absorber
Revision	1



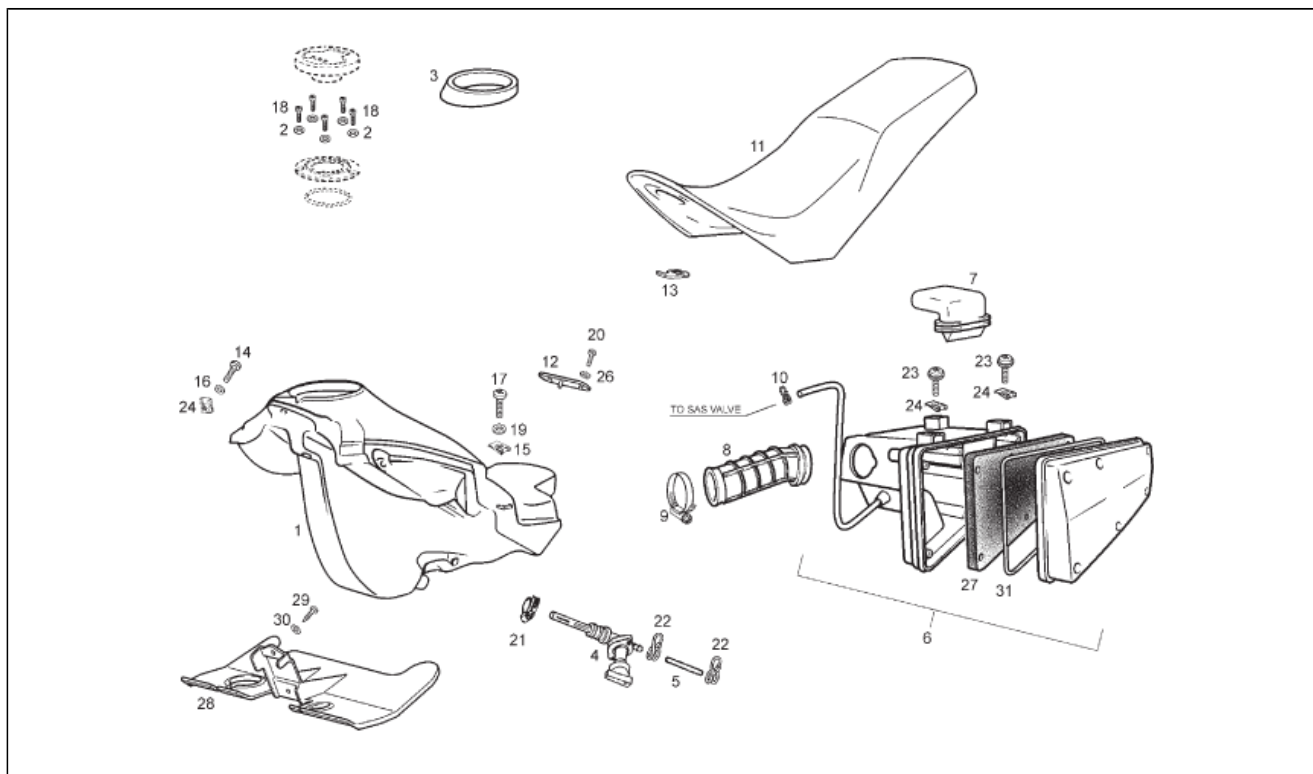
Pos.	Code	Description	Q.ty	Variants
29	863908	Nut 10M150	0	
30	8657120001	Decal	0	year: 2010[A] Color:White 2010 (E92H74*010)[1]
31	8657130001	Decal	0	year: 2010[A] Color:White 2010 (E92H74*010)[1]

Assembly	FRAME
Code	66.04
Description	Tank - Air box
Revision	1



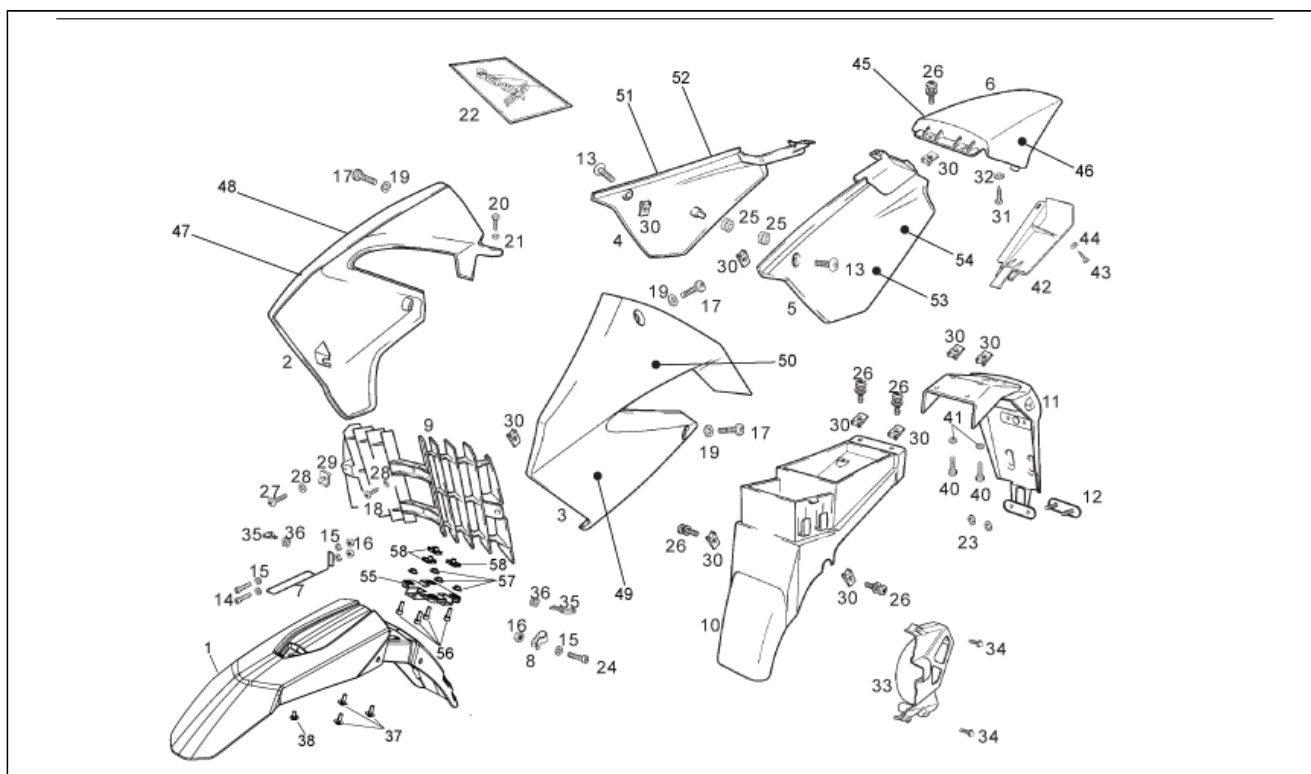
Pos.	Code	Description	Q.ty	Variants
1	00H00412011	Fuel tank	0	
2	00031105000	Washer D5	0	
3	865968	Ring nut	0	
4	00H00404181	Fuel cock	0	
5	00F00403321	Pipe	0	
6	863860	Air box	0	
7	00H03204491	Intake pipe	0	
8	00H03215261	Intake hose	0	
9	864249	Flange	0	
10	00H06400291	Hose clamp	0	
11	8633920001	Saddle	0	
12	00H06800501	Plug	0	
13	00H00606141	Lever	0	
14	00G01503701	Screw	0	
15	00H01500691	Nut D5	0	
16	00H00500211	Washer	0	
17	00012151500	Screw	0	
18	00012151000	Screw 5M80X10	0	
19	00000031050	Washer D5	0	
20	00012051200		0	
21	00G00400501	Hose clamp	0	
22	00D03700131	Hose clamp	0	
23	00008061200	Screw 6M100X12	0	
24	00D01501371	Nut D6	0	
26	00D02600631	Washer	0	
27	861817	Air filter	0	Technical Specifications: Maintenance kit item[M]
28	864393	Protection	0	
29	00011141300	Screw 4,8X13	0	

Assembly	FRAME
Code	66.04
Description	Tank - Air box
Revision	1



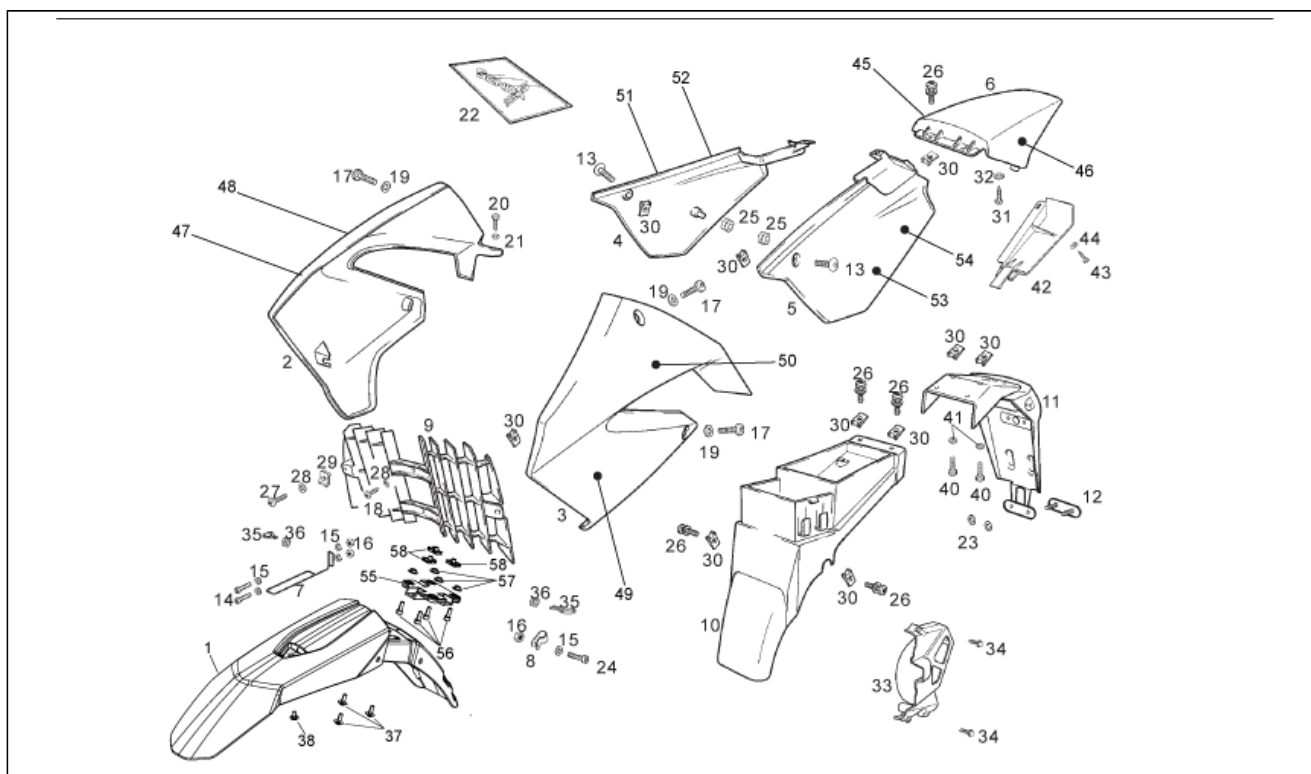
Pos.	Code	Description	Q.ty	Variants
30	00000031050	Washer D5	0	
31	866791	Gasket	0	

Assembly	FRAME
Code	66.05
Description	Body
Revision	1



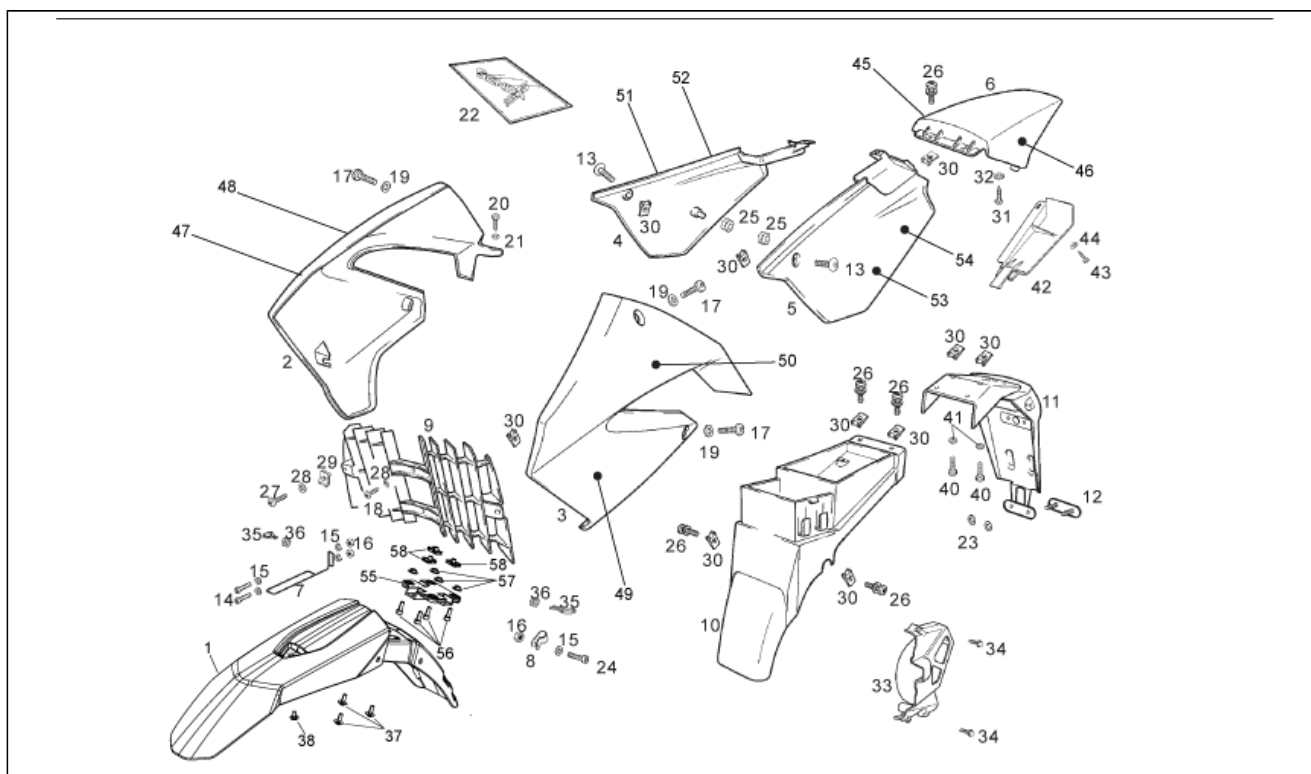
Pos.	Code	Description	Q.ty	Variants
1	86693000W0B	Front mudguard, white	0	year: 2010[A] Color:White 2010 (E92H74*010)[1]
2	86702500W0B	RH side panel, white	0	year: 2010[A] Color:White 2010 (E92H74*010)[1]
3	86702600W0B	LH side panel, white	0	year: 2010[A] Color:White 2010 (E92H74*010)[1]
4	00H00507071	RH cover	0	year: 2010[A] Color:White 2010 (E92H74*010)[1]
5	00H00507081	LH cover	0	year: 2010[A] Color:White 2010 (E92H74*010)[1]
6	00H00618161	Saddle cover	0	year: 2010[A] Color:White 2010 (E92H74*010)[1]
7	00H00201811	Spring	0	
8	00H01501811	Fairlead	0	
9	00H03806301	Water cooler grille	0	
10	00H00708121	Rear mudguard	0	
11	00H00716341	Number plate holder	0	
12	00G04400752	Reflector	0	
13	00H01502701	Screw 6X12	0	
14	00002062011	Screw M6x20	0	
15	00402060001	Washer D6 DIN125 AZNB	0	
16	00000023060	Nut M6100	0	
17	00008061200	Screw 6M100X12	0	
18	00011141300	Screw 4,8X13	0	
19	00031106000	Washer D6	0	
20	00012151000	Screw 5M80X10	0	
21	00031105000	Washer D5	0	
22	86703900W0B	Decal set	0	
23	00G06300671	Washer	0	

Assembly	FRAME
Code	66.05
Description	Body
Revision	1



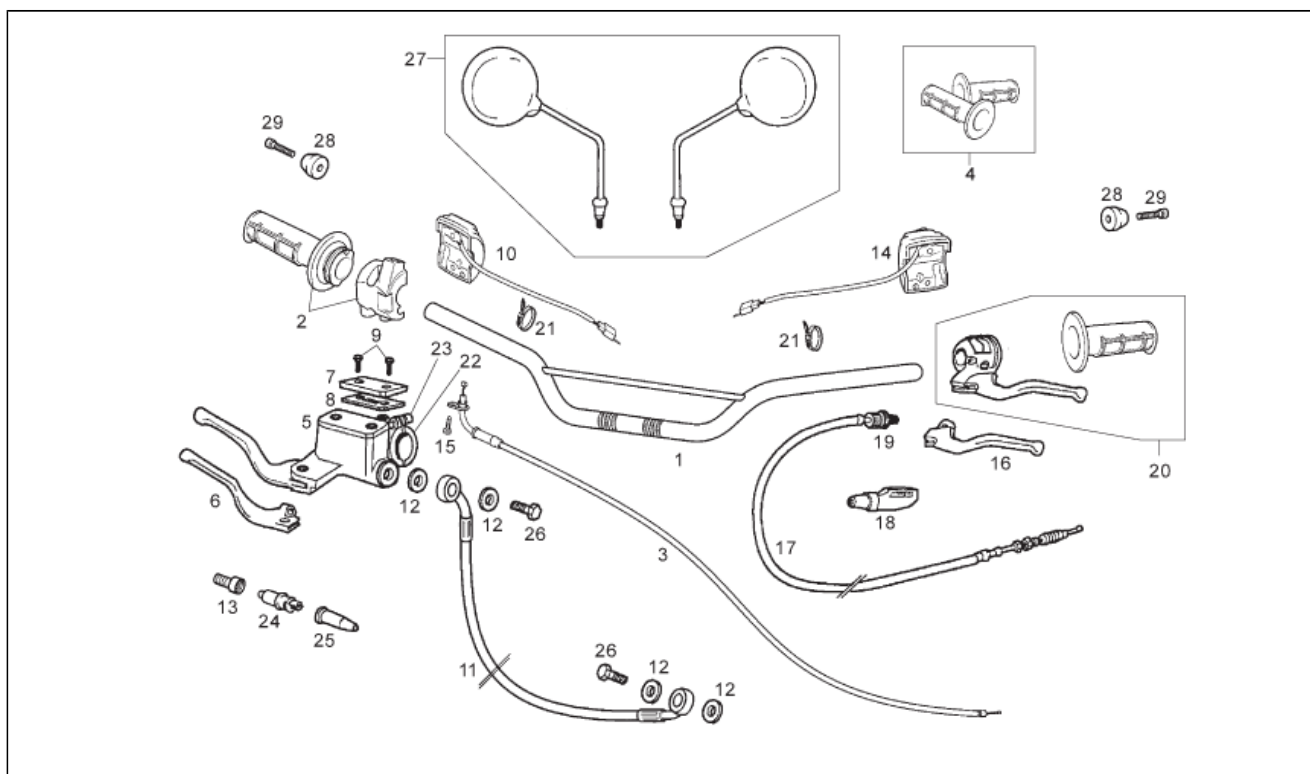
Pos.	Code	Description	Q.ty	Variants
24	00002062511	Screw 6M100X25	0	
25	00H00501761	Silent-block	0	
26	00H05900021	Screw 6M100X16	0	
27	00012051200	Screw 5M80X12	0	
28	00000031050	Washer D5	0	
29	00G04401462	Nut D5	0	
30	00D01501371	Nut D6	0	
31	00011051401	Self-tap screw 5X14	0	
32	00000031050	Washer D5	0	
33	00H03003581	Cover	0	
34	862867	Screw	0	
35	00H02201591	Protection	0	
36	00D01500021	Rubber spacer	0	
37	00D05900141	Screw 6M100X16	0	
38	AP8152339	Screw w/ flange	0	
40	00012061200	Screw 6MX100X12	0	
41	00D01200171	Washer D6	0	
42	864254	Cover	0	
43	00011141300	Screw 4,8X13	0	
44	00000031050	Washer D5	0	
45	8670350001	Sticker RH Baja 125	0	year: 2010[A] Color:White 2010 (E92H74*010)[1]
46	8670360001	Sticker LH Baja 125	0	year: 2010[A] Color:White 2010 (E92H74*010)[1]
47	8670270001	Decal Baja 125	0	year: 2010[A] Color:White 2010 (E92H74*010)[1]
48	8670280001	Decal Baja 125	0	year: 2010[A] Color:White 2010 (E92H74*010)[1]
49	8670290001	Decal Baja 125	0	year: 2010[A]

Assembly	FRAME
Code	66.05
Description	Body
Revision	1



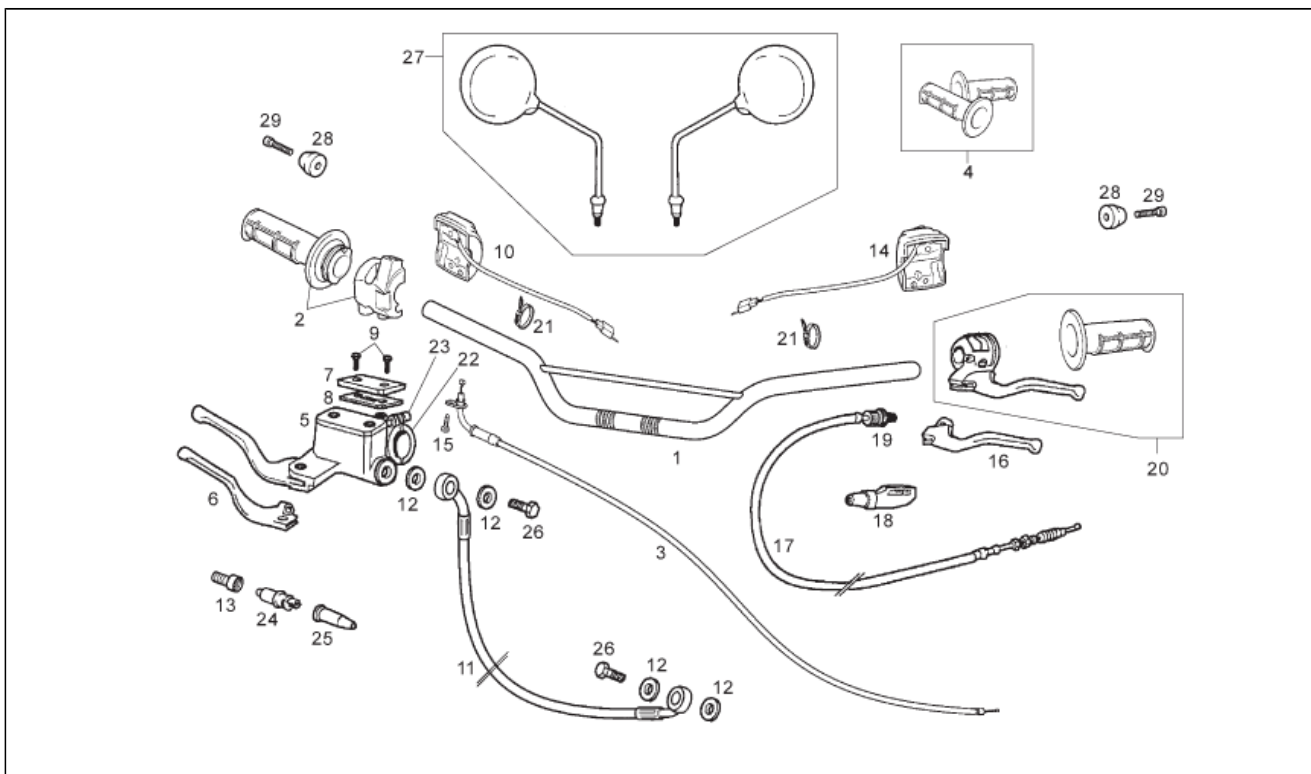
Pos.	Code	Description	Q.ty	Variants
				Color:White 2010 (E92H74*010)[1]
50	8670300001	Decal Baja 125	0	year: 2010[A] Color:White 2010 (E92H74*010)[1]
51	8616220001	Name plate	0	year: 2010[A] Color:White 2010 (E92H74*010)[1]
52	8670370001	Sticker RH Baja 125	0	year: 2010[A] Color:White 2010 (E92H74*010)[1]
53	8616230001	Name plate	0	year: 2010[A] Color:White 2010 (E92H74*010)[1]
54	8670380001	Sticker LH Baja 125	0	year: 2010[A] Color:White 2010 (E92H74*010)[1]
55	866931	Support	0	
56	4615	Screw 6M100X16	0	
57	AP9100053	Bush d.10-h.3,5	0	
58	00D01501371	Nut D6	0	

Assembly	FRAME
Code	66.06
Description	Handlebar - Controls
Revision	1



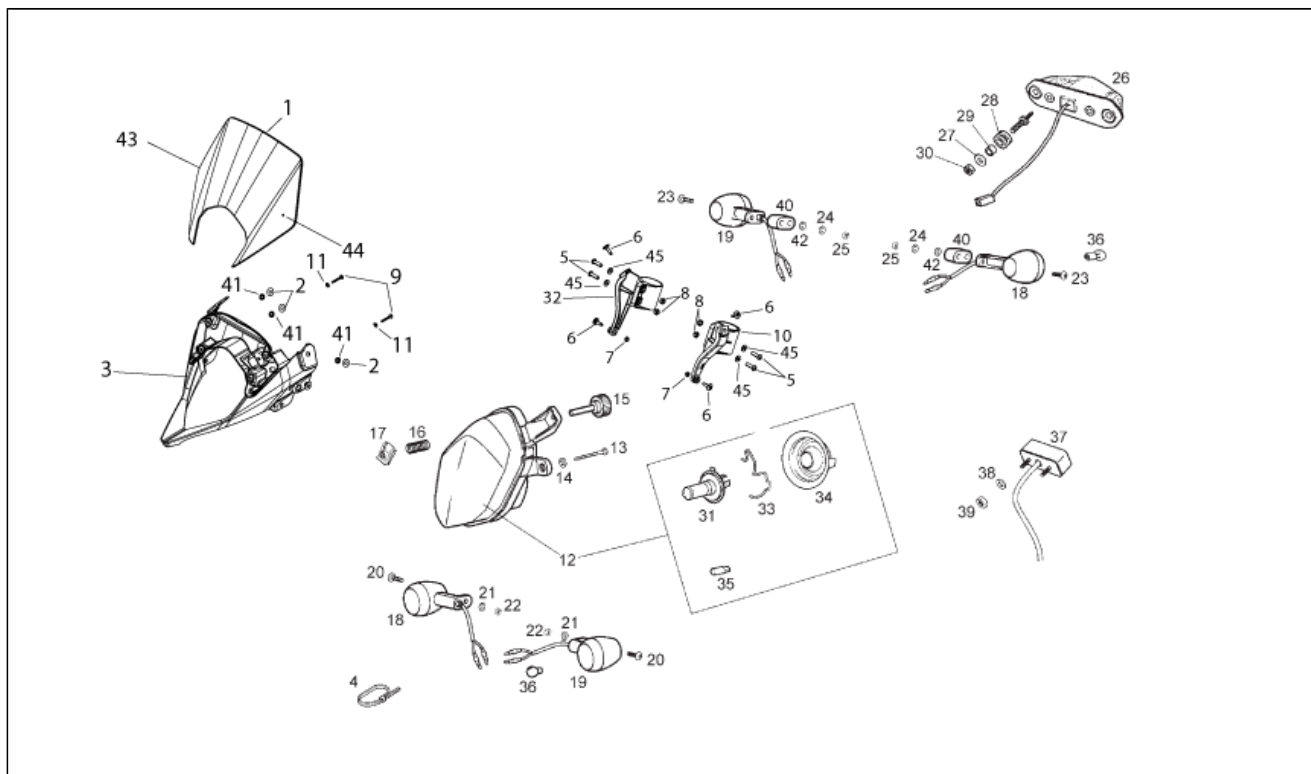
Pos.	Code	Description	Q.ty	Variants
1	86178801WGB	Handlebar	0	
2	00H02104621	Throttle with hand grip	0	
3	00H00921171	Gas lever transmission	0	
4	862897	Handgrip - pair	0	Technical Specifications: Maintenance kit item[M]
5	00H02106081	Front master cilinder	0	
6	00H00906203	Brake lever	0	Technical Specifications: Maintenance kit item[M]
7	00H02100191	Cover	0	
8	00H02100861	Gasket	0	
9	00014041200	Screw 4M80X12	0	
10	00H02102631	Lights selector	0	
11	862898	Brake hose	0	
12	00006321040	Washer	0	
13	00H00900871	Bushing	0	
14	00H02306381	Lights selector	0	
15	00012051200	Screw 5M80X12	0	
16	00H00903291	Clutch lever	0	Technical Specifications: Maintenance kit item[M]
17	00H00919301	Clutch transmission	0	
18	00H02101011	Protection	0	
19	00F00920551	Clutch cable register	0	
20	00H02112611	LH hand grip	0	
21	00D00900531	Hose clamp	0	
22	00H02100901	Hose clamp	0	
23	00002051251	Screw	0	
24	00D01000701	Brake light switch	0	
25	00005010760	Cap	0	
26	00006309260	Oil pipe screw	0	
27	00H04601001	Rearview mirror	0	Technical Specifications: Maintenance kit item[M]
28	00H02102921	Anti.v weight, chr.	0	

Assembly	FRAME
Code	66.06
Description	Handlebar - Controls
Revision	1



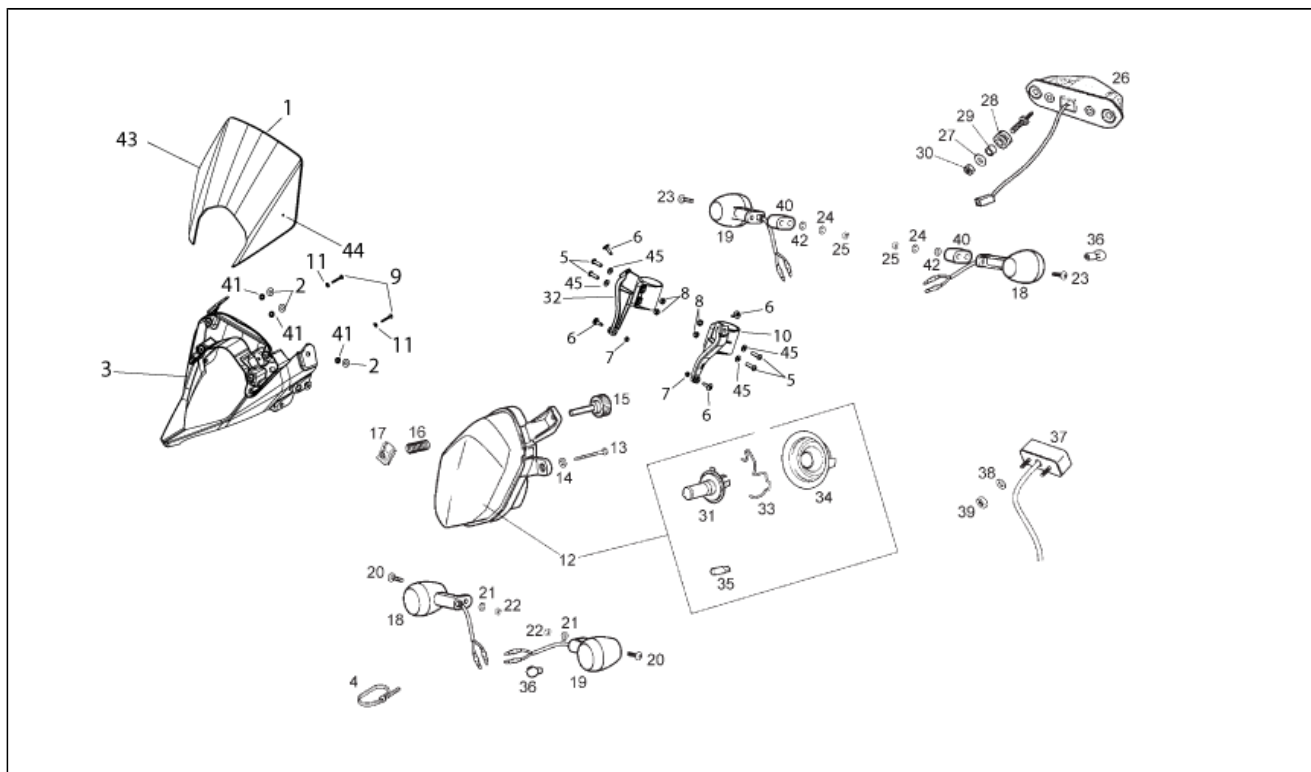
Pos.	Code	Description	Q.ty	Variants
29	00000004645	Screw	0	

Assembly	FRAME
Code	66.07
Description	Lights
Revision	1



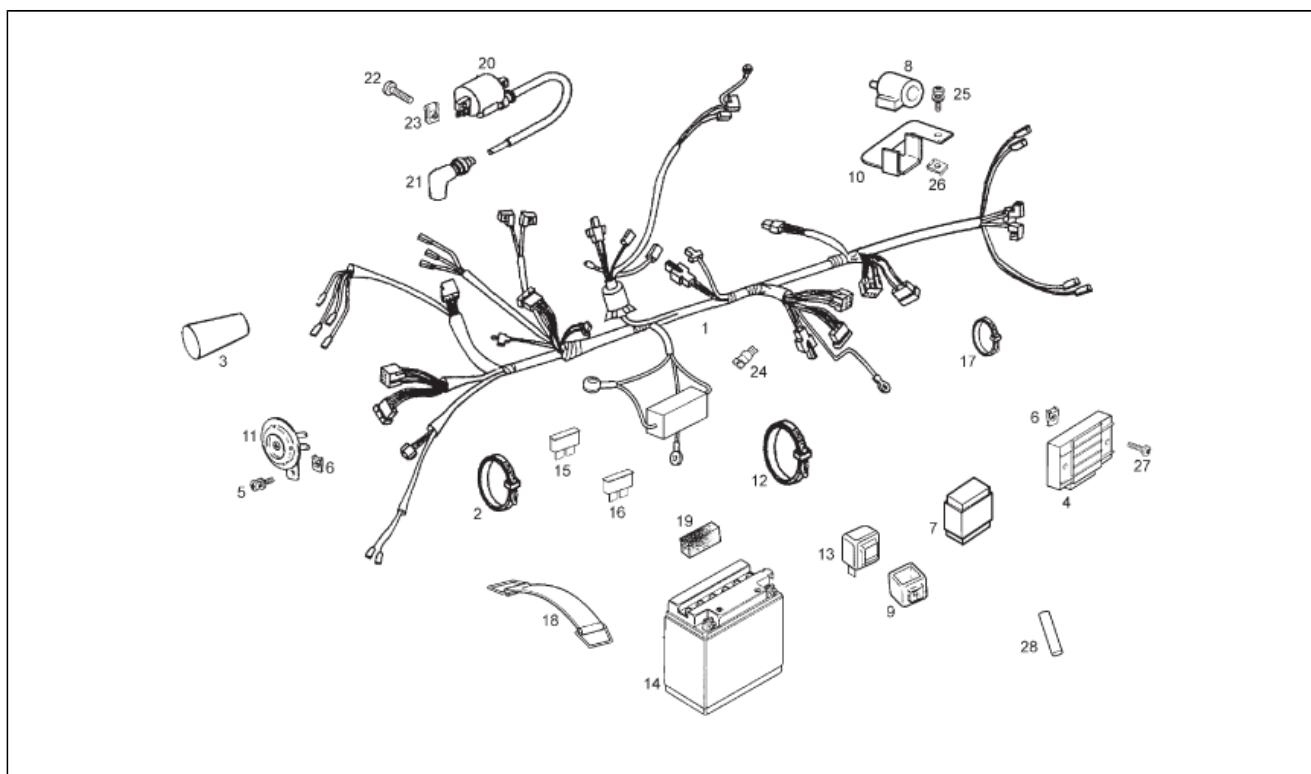
Pos.	Code	Description	Q.ty	Variants
1	86420600W0B	Headlight support	0	year: 2010[A] Color:White 2010 (E92H74*010)[1]
2	00H01500741	Washer	0	
3	866980	Front headlight supp.	0	
4	00D00900531	Hose clamp	0	
5	52062011	Screw 6M100X16	0	
6	863408	Screw	0	
7	23050	Nut	0	
8	00G04401462	Nut D5	0	
9	11032501	Self-tap screw 3,6X25	0	
10	866936	LH clamp	0	
11	31040	Washer D4	0	
12	861047	Headlight	0	
13	00011032501	Screw 3,6x25	0	
14	00000031040	Washer D4	0	
15	00H01003101	Screw	0	
16	00H02302501	Spring	0	year: 2010[A] Color:White 2010 (E92H74*010)[1]
17	00H01500691	Nut D5	0	
18	00H01704311	RH front turn indicator	0	
19	00H01706021	LH front turn indicator	0	
20	862210	Screw	0	
21	00D01200171	Washer D6	0	
22	00000023060	Nut M6100	0	
23	00004055000	Screw 5X80X50	0	
24	00D02600631	Washer	0	
25	00000023050	Nut	0	
26	00H01009321	Taillight	0	

Assembly	FRAME
Code	66.07
Description	Lights
Revision	1



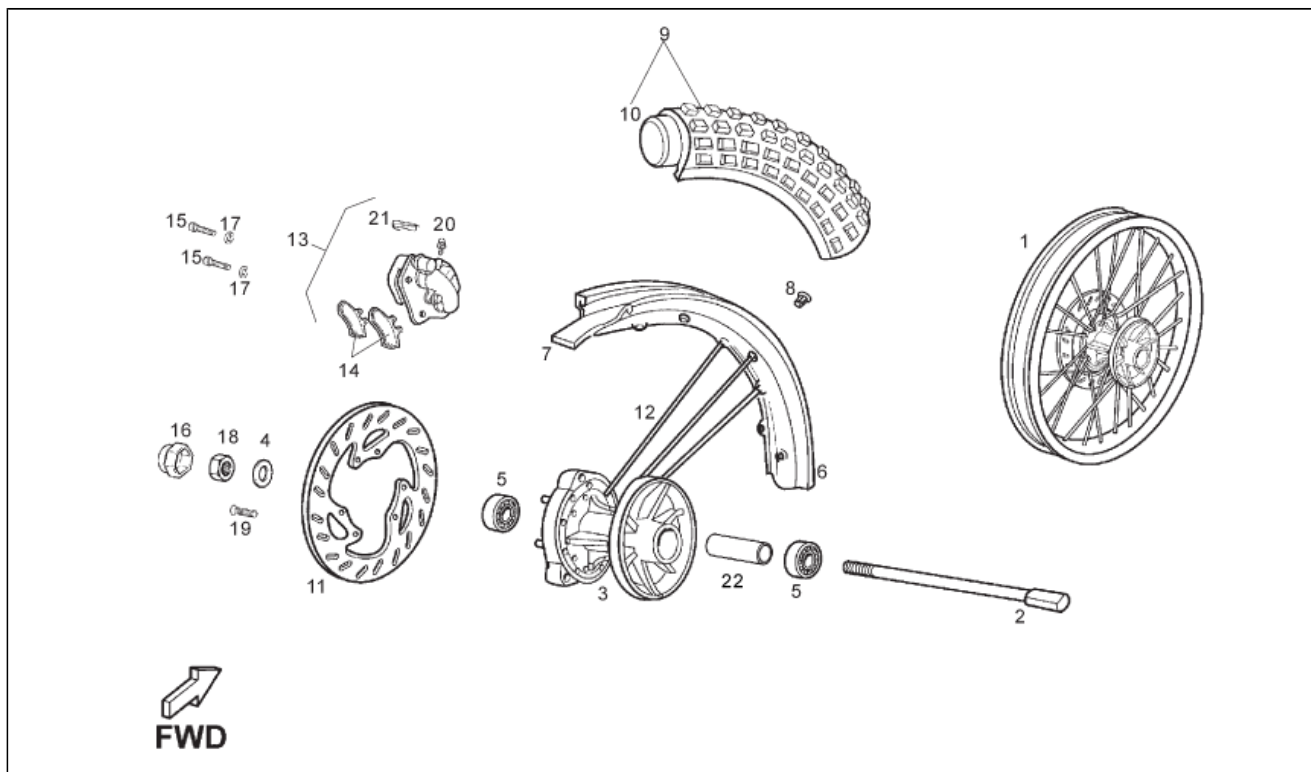
Pos.	Code	Description	Q.ty	Variants
27	00D01200171	Washer D6	0	
28	00008915020	Grommet	0	
29	00D01500471	Ring nut	0	
30	00000023060	Nut M6100	0	
31	00G01000131	Lamp	0	Technical Specifications: Maintenance kit item[M]
32	866935	RH clamp	0	
33	862415	Spring	0	
34	862896	Guard	0	
35	00H01003131	Lamp 12V-5W	0	Technical Specifications: Maintenance kit item[M]
36	00H01701011	Lamp	0	Technical Specifications: Maintenance kit item[M]
37	00H05700471	Wiring	0	
38	00000031050	Washer D5	0	
39	00000023050	Nut	0	
40	00F01701191	Support	0	
41	861239	Washer	0	
42	00000031050	Washer D5	0	
43	8665600003	Sticker RH Baja 125	0	year: 2010[A] Color:White 2010 (E92H74*010)[1]
44	8665620003	Sticker LH Baja 125	0	year: 2010[A] Color:White 2010 (E92H74*010)[1]
45	AP8150450	Washer for shafts D5	0	

Assembly	FRAME
Code	66.08
Description	Electrical system
Revision	1



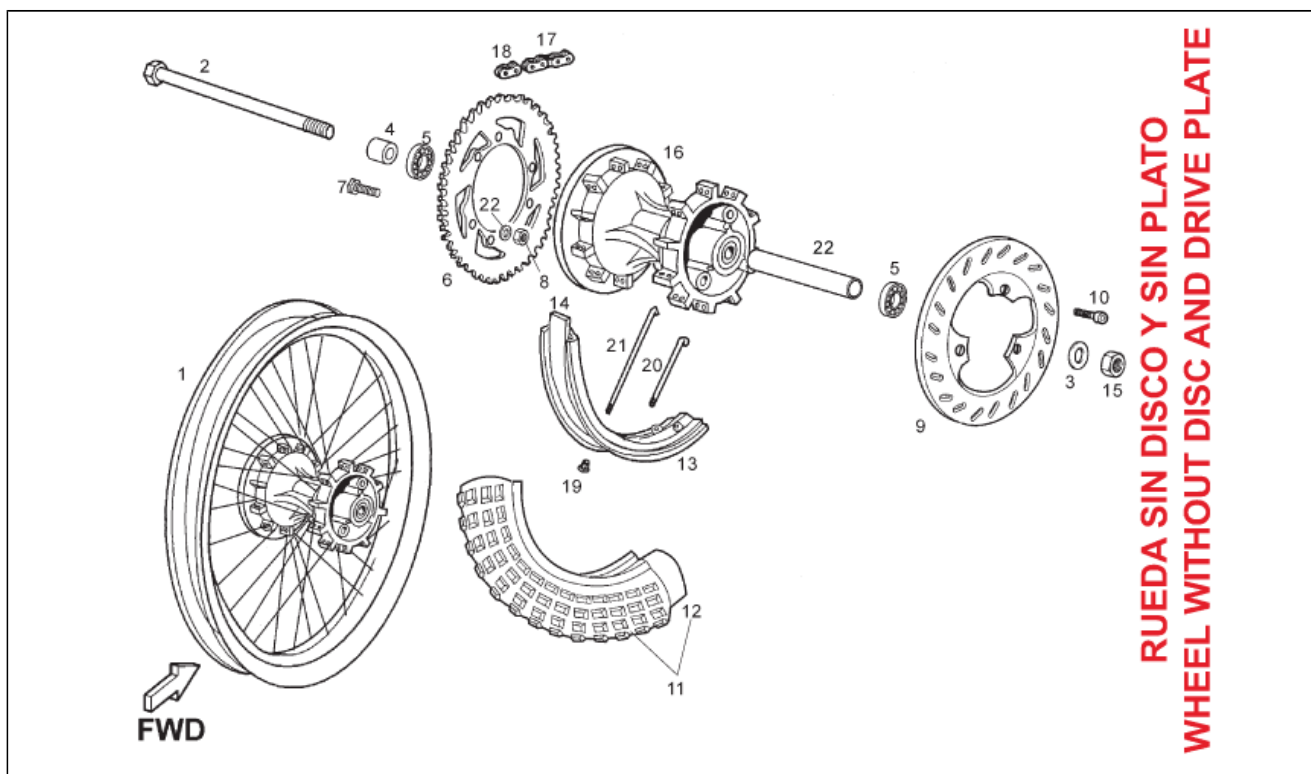
Pos.	Code	Description	Q.ty	Variants
1	864840	Electrical system	0	
2	00D00900531	Hose clamp	0	
3	00H02300961	Protection	0	
4	866885	Voltage regulator	0	
5	00F05900041	Screw M6x16	0	
6	00D01501371	Nut D6	0	
7	862906	ECU CDI	0	
8	862908	Relay	0	
9	942577	Relay rubber	0	
10	00H02300361	Support	0	
11	86135R	Horn	0	
12	00F00900531	Hose clamp 290X4,8	0	
13	00G01700401	Flasher unit	0	
14	86119R	Battery	0	Technical Specifications: Maintenance kit item[M]
15	00H01001911	Fuse 7,5A	0	
16	00H01002911	Fuse 15A	0	
17	00D00900531	Hose clamp	0	
18	00E01810361	Flange	0	
19	00H01803471	Vibration-damping rubber	0	
20	862907	Coil	0	
21	862909	Sparkplug cap	0	
22	00002052051	Screw	0	
23	00H01500691	Nut D5	0	
24	863003	Diode	0	
25	00F05900041	Screw M6x16	0	
26	00D01501371	Nut D6	0	
27	00012162000	Screw 6M100X20	0	
28	864587	Protection	0	

Assembly	FRAME
Code	66.09
Description	Front wheel
Revision	1



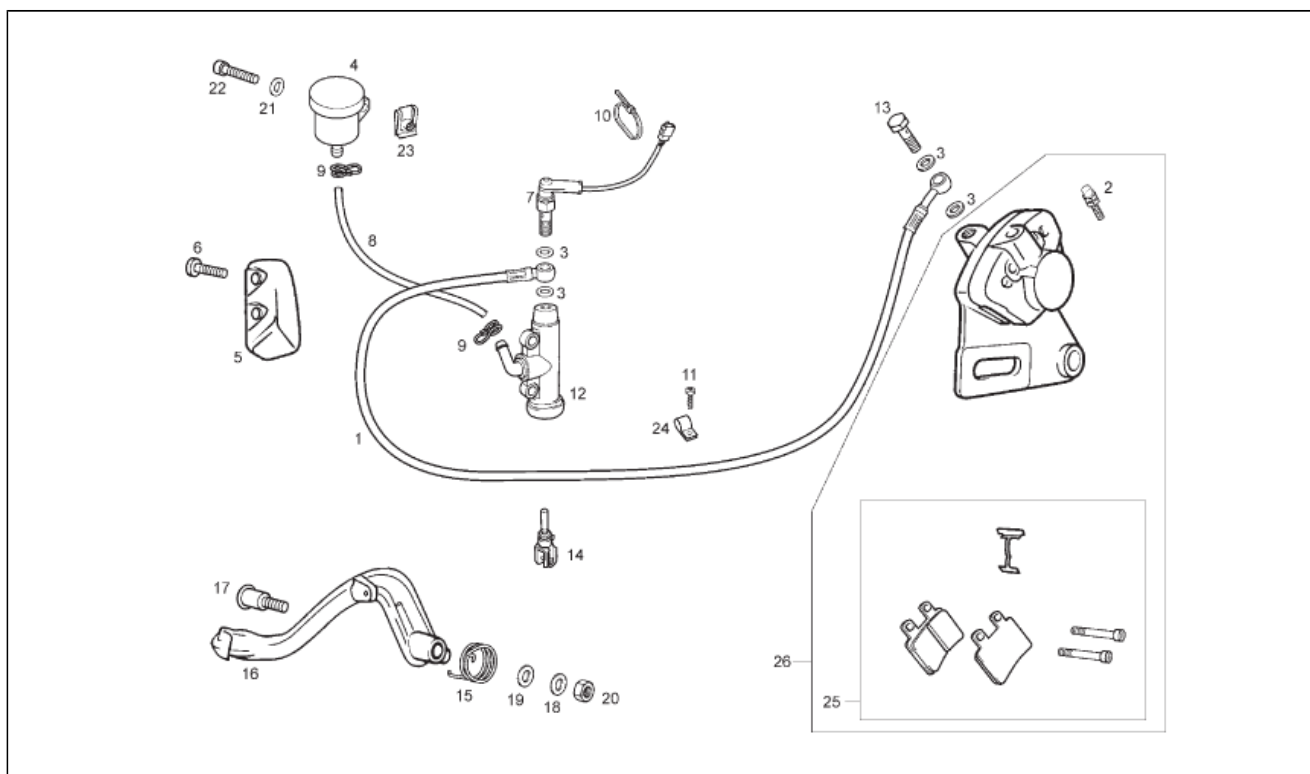
Pos.	Code	Description	Q.ty	Variants
1	00H04717081	Front wheel	0	
2	00H01202271	Pin	0	
3	00H01204711	Front hub	0	
4	00032015000	Washer	0	
5	00058020200	Bearing	0	
6	00H01209082	Front wheel	0	
7	00D01201091	Flap	0	
8	00002212070	Nut	0	
9	00H01217111	Front/rear tyre	0	
10	00H01212101	Inner tube	0	
11	865534	Brake disc ant.D260	0	Technical Specifications: Maintenance kit item[M]
12	00H01206061	Front wheel spoke	0	
13	00H01208191	Front brake caliper	0	
14	00H04703141	Pads pair	0	Technical Specifications: Maintenance kit item[M]
15	00000004830	Screw 8M125X30	0	
16	00H01201331	Protection	0	
17	00034000802	Washer D8	0	
18	00H00300672	Nut	0	
19	00H02402282	Screw 6X20	0	
20	00F04700121	Bleed valve	0	
21	00H01301831	Spring	0	
22	00H01203031	Wheel internal spacer	0	

Assembly	FRAME
Code	66.10
Description	Rear wheel
Revision	1



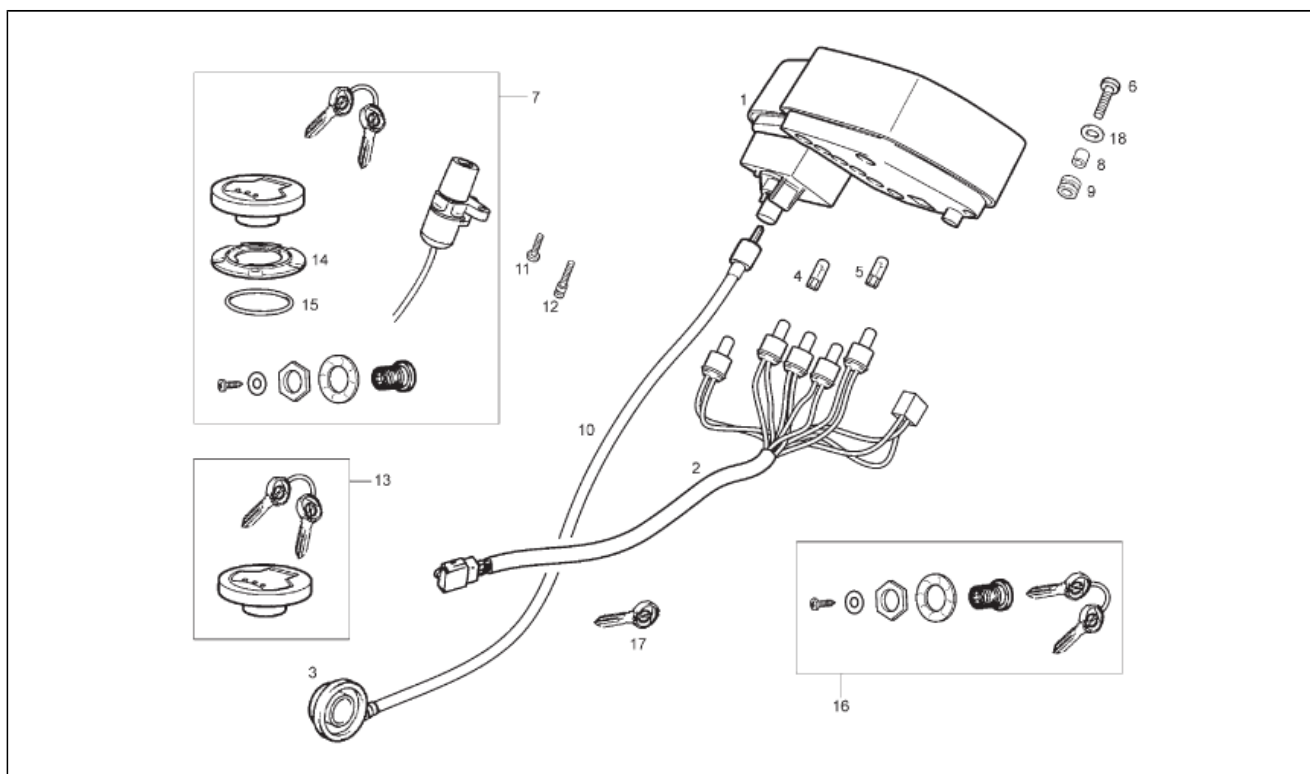
Pos.	Code	Description	Q.ty	Variants
1	00H02401331	Rear wheel	0	
2	00H01305201	Pin	0	
3	00032015000	Washer	0	
4	00H01304181	Ring nut	0	
5	00058020200	Bearing	0	
6	00H01328031	Chain ring Z=52	0	Technical Specifications:Maintenance kit item[M]
7	00012083001	Screw 8MX125X30	0	
8	00262080022	Nut 8M125	0	
9	864732	Brake disc	0	Technical Specifications:Maintenance kit item[M]
10	00H02401282	Screw	0	
11	00H01316321	Rear tyre 4,10 X 18"	0	
12	00H01314361	Inner tube	0	
13	00H01302351	Rear wheel	0	
14	00D01301401	Flap	0	
15	00H00300672	Nut	0	
16	00H01308821	Hub	0	
17	00H01512201	Chain	0	Technical Specifications:Maintenance kit item[M]
18	00H01502211		0	
19	00H01202071	Nut	0	
20	00H01304691	Spoke	0	
21	00H01304731	Spoke	0	
22	00402080001	Washer D8	0	
23	00H01305091	Ring nut	0	

Assembly	FRAME
Code	66.11
Description	Rear brake system
Revision	1



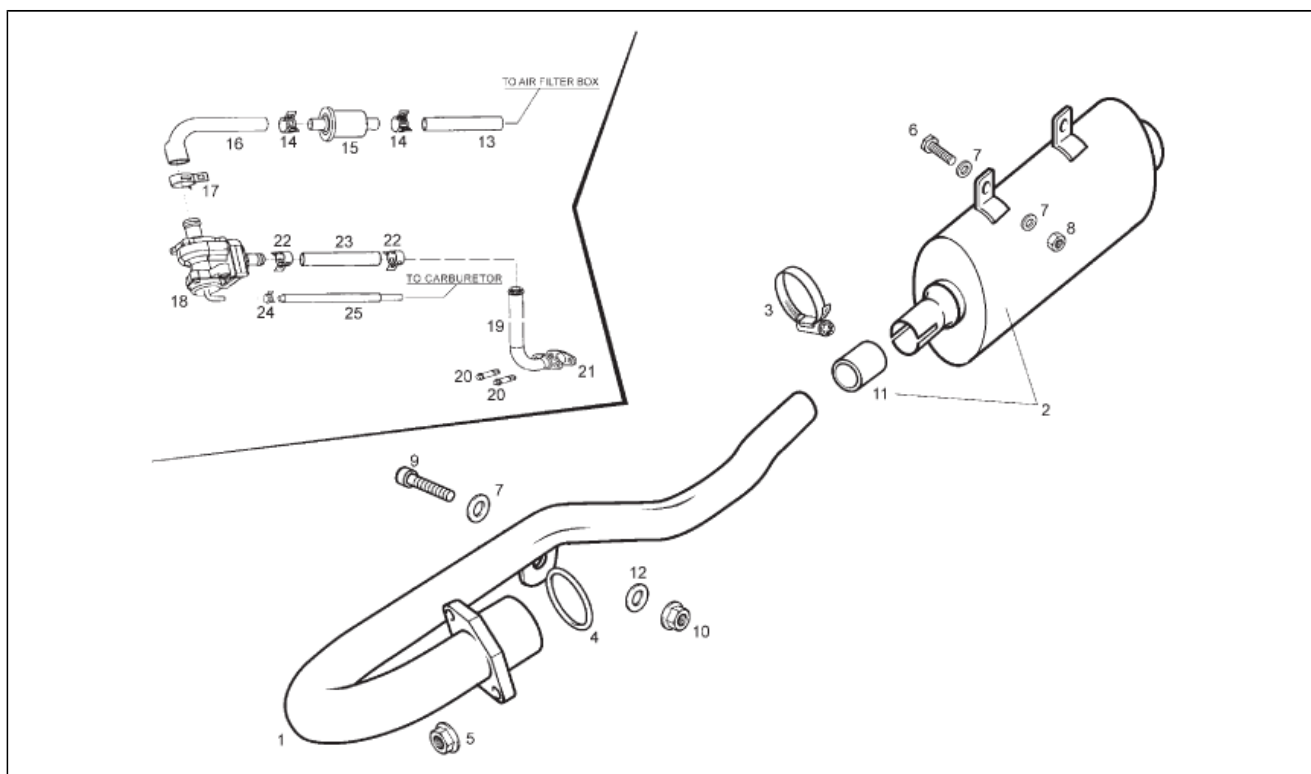
Pos.	Code	Description	Q.ty	Variants
1	00H01112081	Brake hose	0	
2	00F04700121	Bleed valve	0	
3	00006321040	Washer	0	
4	00D01100201	Oil tank	0	
5	00H01101731	Protection	0	
6	00G01503701	Screw	0	
7	00H01001701	Brake light switch	0	
8	00H01102211	Pipe	0	
9	00H03700131	Hose clamp	0	
10	00F00900531	Hose clamp 290X4,8	0	
11	00011141300	Screw 4,8X13	0	
12	00H01104181	Rear brake	0	
13	00006309260	Oil pipe screw	0	
14	00H01103611	Master cylinder rod	0	
15	00H01102072	Spring	0	
16	00H01120021	Brake lever	0	Technical Specifications: Maintenance kit item[M]
17	00H01100172	Screw	0	
18	00402080001	Washer D8	0	
19	00005527540	Washer	0	
20	00023108000	Nut M8x125	0	
21	00D02600631	Washer	0	
22	00012151500	Screw	0	
23	00G04401462	Nut D5	0	
24	864454	Flange D8 D8	0	
25	862900	Kit	0	Technical Specifications: Maintenance kit item[M]
26	862899	Brake caliper	0	

Assembly	FRAME
Code	66.12
Description	Instrument panel
Revision	1



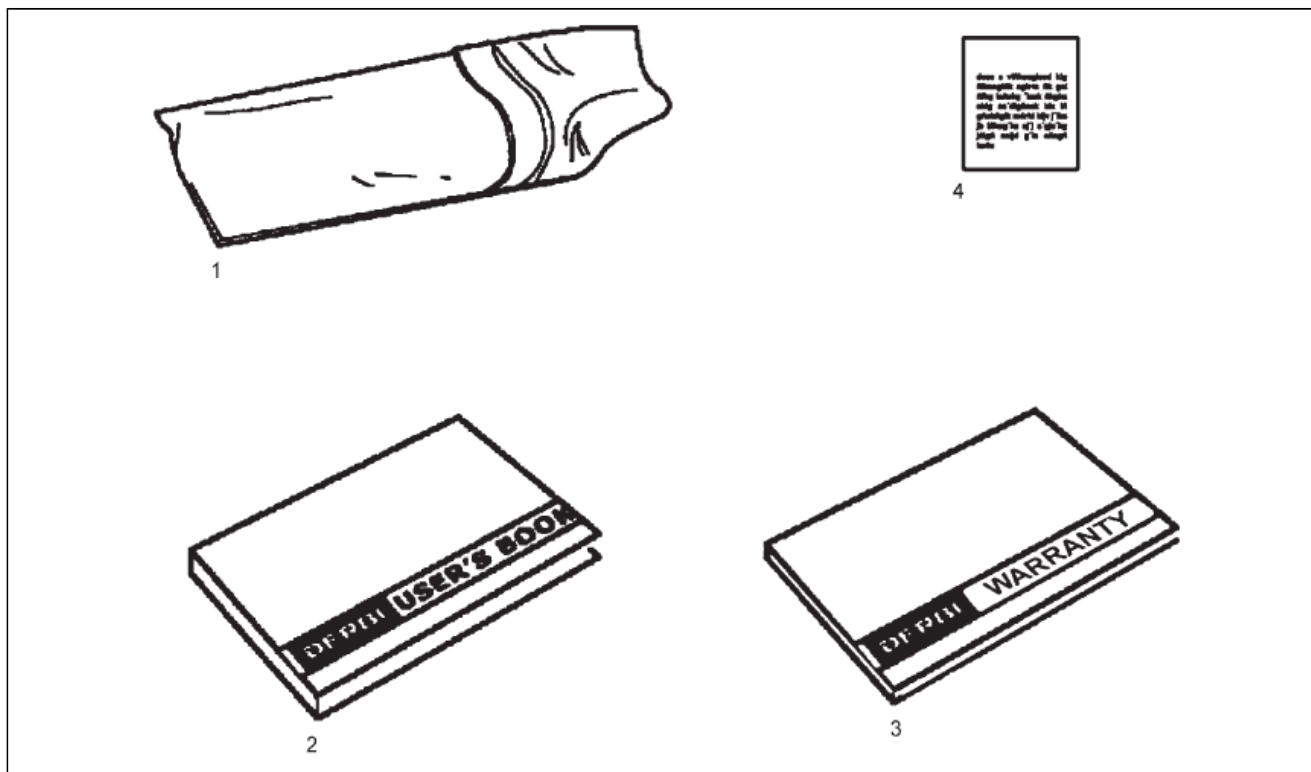
Pos.	Code	Description	Q.ty	Variants
1	00H01641521	Dashboard	0	Technical Specifications: Mph/h[MH]
1	864811	Dashboard	0	Technical Specifications: Km/h[KH]
2	00H04321651	Dashboard wiring + lamps	0	
3	00H01613051	Gear	0	
4	00G01602581	Lampholder	0	
5	00G01601581	Lampholder	0	
6	00012152000	Screw 5M80X20	0	
7	00H05909251	Lock hardware kit	0	
8	00H01600911	Pin	0	
9	00D01500021	Rubber spacer	0	
10	00H01620021	Wire	0	
11	00002082021	Screw 8M125x20	0	
12	00H06300791	Screw	0	
13	00H00400131	Fuel filler cap	0	
14	00H00400161	Flange	0	
15	00H00400151	Gasket	0	
16	00H00600681	Locks	0	
17	00F01810411	Key	0	Technical Specifications: Maintenance kit item[M]
18	00D02600631	Washer	0	

Assembly	FRAME
Code	66.13
Description	Exhaust pipe
Revision	1



Pos.	Code	Description	Q.ty	Variants
1	864869	Exhaust pipe	0	
2	865120	Exhaust unit	0	
3	00H03405061	Flange	0	
4	967299	Gasket	0	
5	00026006002	Nut	0	
6	00000004825	Screw 8M125X25	0	
7	00402080001	Washer D8	0	
8	00000023080	Nut	0	
9	00002082021	Screw 8M125x20	0	
10	00026008001	Nut 8M125	0	
11	00H03406321	Gasket	0	
12	00G00803101	Washer	0	
13	866886	Pipe	0	
14	866887	Hose clamp	0	
15	866888	Valve	0	
16	866889	Pipe	0	
17	866890	Hose clamp	0	
18	866891	SAS valve	0	
19	866892	Pipe	0	
20	866893	Screw	0	
21	866894	Hose clamp	0	
22	862665	Hose clamp	0	
23	866895	Pipe	0	
24	866896	Hose clamp	0	
25	866897	Pipe	0	

Assembly	FRAME
Code	66.14
Description	Completing part
Revision	1



Pos.	Code	Description	Q.ty	Variants
1	00H05104561	Toolkit	0	
2	00H05156121	Operator's handbook	0	
3	865004	MANUALE DI GARANZIA ESP/ITA/ING	0	
4	00H04651141	Sticker	0	
4	863992	Sticker	0	
4	865132	Sticker	0	

Assembly	SPECIAL TOOLS
Code	67.26
Description	Special tools
Revision	1

Special Tools

Pos.	Code	Description	Q.ty	Variants
1	863669	Flywheel extractor	0	
2	863672	Crankshaft gear locking tool	0	
3	020404Y	Key 24	0	
4	00005253240	Flywheel extractor	0	
5	020382Y	Valve removaland fitting	0	